



## VoIP Video intercom Telephone

### DESCRIPTION ITEM

#### Unit Main features

VOIP Telephone BI-Directional Video telephone Scratch resistant, HD Screen  
SIP supports 5 SIP servers SIP 2.0 Support TR069  
7" digital TFT-LCD of 1024 x 600 pixels with Visual angle adjustable display screen  
sensor camera with 5Mega pixels 2xLAN, PoE, USB  
TWO group of speed dial for emergency call. Protection: About IP65  
Speaker: 8 ohm 1.5W, loudness 85dB(A) to 65dB(A) MIC working distance 80cm Ring:  
>95dB. Coverage 1.5m radius  
The call button is flash when ring, lighting during a call, off when standby.  
With induction loop coverage 1M radius. Metal body  
Braille words for disable.  
HD voice with high quality headset/HD voice in speakerphone mode

#### Camera Specification

Array size::2592 x 1944	Lens size: 1/4
Lens chief ray angle: 24	Input clock frequency: 6~27 MHz
Maximum Image transfer rate: 720P	QSXGA (2592 X 1944): 15fps
Shutter: rolling shutter/frame exposure	Sensitivity: 600 mV/lux-sec
Pixel size: 1.4 um X 1.4 um	Maximum exposure interval: 1964 xTROW
Image area:3673.6 um X 2738.4 um	Dark Current: 8 mV/s @ 60 °C junction temperature
	viewing angle: 187 °



## SPECIFICATION

VoIP SIP2.0 telephone

MTBF:100000hours

Free dial(maximum length of each number is 16 digits)

Communication: Full duplex 2-way hands-free communication

Call Control Signaling:VOIP SIP Info(DTMF), RFC 2833(DTMF)

Power:Power over Ethernet, IEEE802.3af, Class 0 Local power, 12VDC,Idle 2W, Max 10W

Auxiliary Contacts:1 Aux Output, dry contact

Contact Ratings. Load: Resistive load

Rated load:0.3 A at 125 VAC; 1 A at 30 VDC

Rated carry current:1A

Max.switching voltage:125 VAC,60VDC

Max.switching current:1A

DTMF dialing

MTRR: 2 hours

Audio Codes:G.711, G.722, G.729

Network:10/100 BaseTX Ethernet, RJ45 connectors, Cat5e or better

IP Protocols:IPv4, TCP, UDP, TFTP, RTP, RTCP, DHCP, SIP

LAN Protocols:Power over Ethernet(PoE,802.3af), WLAN(IEEE 802.3af), Network Access Control(IEEE 802.1x),STP(IEEE 802.1d), RSTP(IEEE 802.1d-2004)

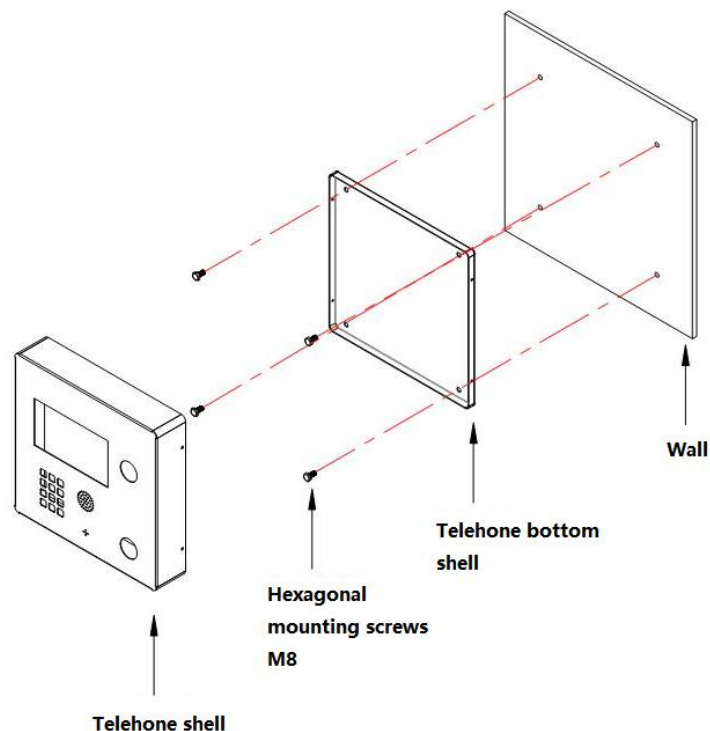
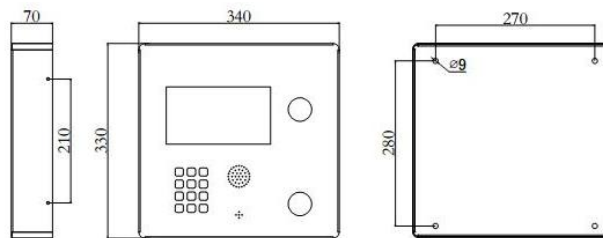
Programming:Non-volatile flash memory programming and configuration through Web GUI

Management and Operation:DHCP and static IP, remote automatic software upgrade, centralized monitoring, status LED

Echo cancellation code:G.167/G.168

## INSTALLATION

Unit: mm



## CERTIFICATION

RCM: AS/NZS CISPR 32 Australian communications:AS/CA S004

Australian Equipment-safety: AS/NZS 60950.1:2015

EMC: EN50121(Railway application-Electromagnetic Compatibility)



## PACKING



Unit size:417\*26\*65mm Unit: N.W:4.05kg



**HONGKONG KOON TECHNOLOGY LTD**

TEL:0086755 29790158/27448753 Fax:0086755 29790278  
Email:marketing@koontech.com www.koontech.com