



## VOIP KNSP-01-IP-Y Waterproof Telephone

### DESCRIPTION ITEM NO.

1. Robust aluminium alloy die-cast body, Vandal & tamper-resistant hardware, easy Installation.
2. Waterproof rating IP66 dust proof.
3. Full keypad with memory, 3 button programmable telephone ,support hotline dialing, support scroll dialing.
4. Magnetic reed hook-switch.
5. DC input overvoltage overcurrent protection and RJ 45 surge protection.
6. Heavy Duty handset with hearing Aid compatible (HAC) receiver, Noise canceling microphone.
7. Handset with industrial strong curly cord .
8. Silicon keypad keep waterproof and dusty proof.
9. Door cover: orient automatically and good self - closing, convenient for use.
10. Temperature range from -40 degree to +70 degree.
11. Support echo cancellation.
12. Support Remote software upgrade, configuration and monitoring.
13. Optional 7 minute time-limited call.( This function upon buyer's requirement).
14. Powder coated in UV stabilized polyester finish.
15. Application: Tunnel, metro, railway, LRT, speedway, marine, ship, offshore, mine, power plant, bridge etc.



## SPECIFICATION

VoIP SIP2.0 telephone	DTMF dialing	Audio Codes:G.711,G723,G.726, G.729
MTBF:100000hours	MTTR: 2 hours	Network:10/100 Base TX Ethernet, RJ45 connectors, Cat5e or better
Free dial (maximum length of each number is 32 digits)		IP Protocols:IPv4, TCP, UDP, RTP, DHCP, SIP
Communication: Full duplex 2-way		1 x LAN Power over Ethernet(PoE,802.3af)
Call Control Signaling: VOIP SIP Info(DTMF), RFC 2833(DTMF)		1 x LAN(IEEE 802.1x), Network Access Control(IEEE 802.1x),STP(IEEE 802.1d), RSTP(IEEE 802.1d-2004)
Power : Power over Ethernet, IEEE802.3af, Class 0		Programming:Non-volatile flash memory programming and configuration through Web GUI
Local power, AC110~220V or 12VDC,Idle 2W, Max 10W		Management and Operation:DHCP and static IP, remote automatic software upgrade, centralized monitoring
Auxiliary Contacts: (option)		Echo cancellation code: ITU-T G.167/G.168
1 Aux Output, dry contact		
Dry contact Load parameter		
Rated load:0.3 A at 125 VAC; 1 A at 30 VDC		
Rated carry current:1A		
Max.switching voltage:125 VAC,30VDC		
Max.switching current:1A		

## Order information:

Model number	Power Supply	Item Number
KNSP-01-IP-Y_AD	DC12V 1A	SP0010092
KNSP-01-IP-Y_P	POE	SP0010032
KNSP-01-IP-Y_ADP	DC12V 1A +POE	SP0010202

\*AD---Adapter UL (Input : AC110~240V , Output : DC12V 1A)

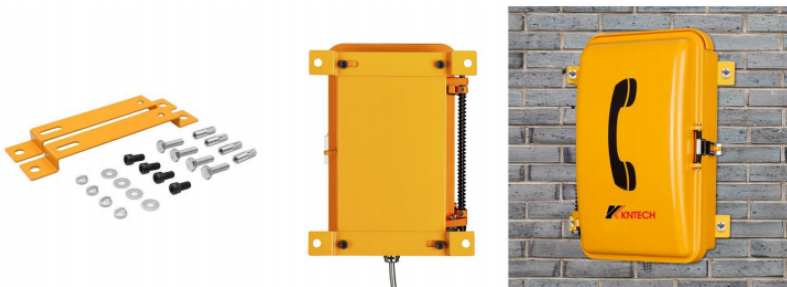
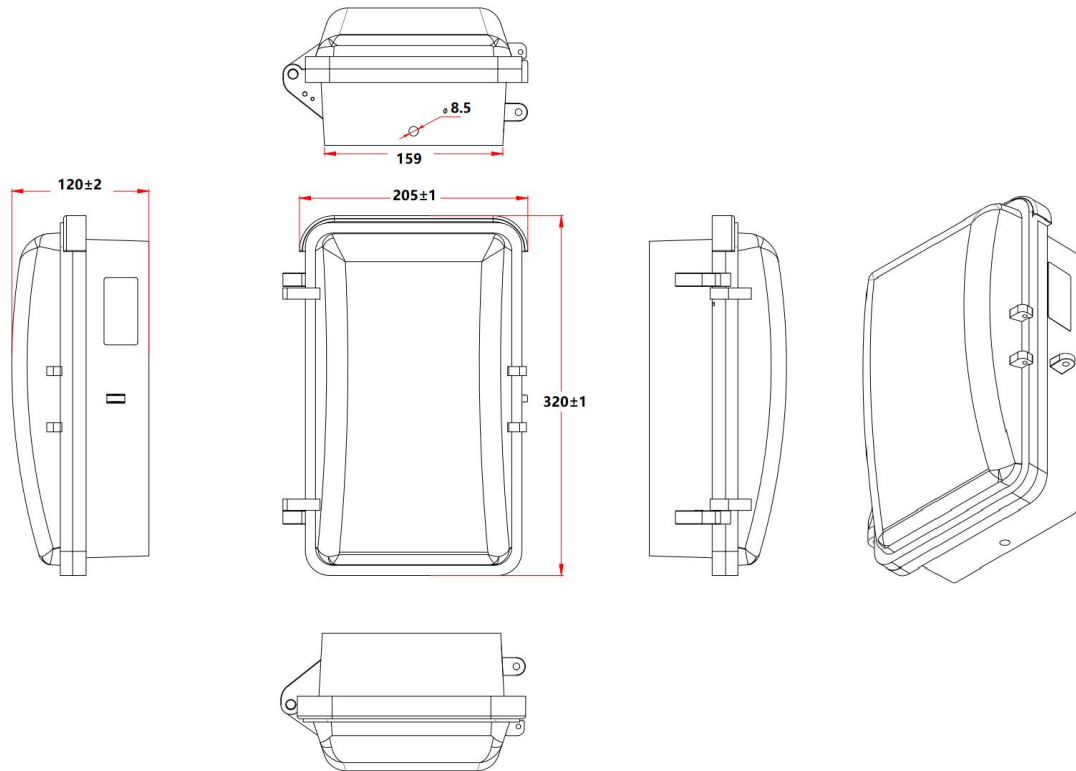
\*P---POE

## CERTIFICATION

Australian communications:AS/CA S004  
Australian Equipment-safety: AS/NZS 60950.1:2015  
RCM: AS/NZS CISPR 32  
EMC:EN55032, EN55024,EN61000-3-2



## INSTALLATION



## PACKAGING

Unit size: 320 \* 205 \* 120mm Unit: N.W: 5.3KG

1pcs packing box size: 439 \* 277 \* 191mm Unit N.W: 5.3KG Unit G.W: 7KG

6pcs in 1 outer Carton box: size: 730 \* 390 \* 340mm N.W: 31.8KG G.W: 34KG



**HONGKONG KOON TECHNOLOGY LTD**

TEL: 0086755 29790158/27448753 Fax: 0086755 29790278  
Email: marketing@koontech.com www.koontech.com