



**KNTD-50**

## UC features for up to 50 users

The KNTD-50 IP PBX appliance is designed to bring leading edge voice, video, data, and ability features to enterprises, small and medium businesses, retail and residential environments in an easy-to-manage fashion. This enterprise-grade on premise IP PBX supports E1, SIP Trunk, RJ45 networks and offers scalability by supporting up to 50 users. This secure and reliable IP PBX delivers unified communication features at an unprecedented price point it hout any licensing fees, costs-per-feature, or recurring fees. Host Standby N+1 redundancy System design.

KNTD-50 server is a computer device that centrally processes and manages information, with multiple functions such as storing, processing, sharing, and protecting data.

The KNTD-50 server can be equipped with three major systems: telephone, broadcasting, and access control, and has efficient and stable performance to meet your various needs.



**50 users**  
Supports up to 50 users,  
10 SIP trunkacCounts,  
up to 10 concurrent calls.



**Three-In-One**  
Optional,  
Telephone system,  
Broadcasting system,  
Access control system.



**Strongest-possible**  
security protectionusing  
HTTP.



**Supports IVR**  
(Interactive VoiceResponse).



**Built-in call recordingserver**  
recordingsaccessed  
via webuser interface.

**SIP**

**Supports call queue**  
for efficient call  
volume management.



## Technical Parameter



Model	KNTD-50 IP PBX Enterprise - class unified communication system	
<b>Hardware interface</b>		
	Host Standby N+1 redundancy System design	
Network Interface	RJ45 Gigabit interface (10/100 / 1000M Ethernet adaptive)	
Reset switch	Support, Web configuration	
<b>Audio / video capability</b>		
Speech algorithm	G.711, 7.29, 7.23, 7.26 encoding	
Voice	G.711 A-law/ U-law, G.723.1, G.726, G.729A	
Video coding	H.264.	
<b>Signaling protocol</b>		
DTMF detection method	Support RFC2833, SIP INFO	
Digital signal	SIP2.0	
Terminal management and automatic deployment capabilities	Support for SIP terminal plug -and-play auto-deployment (including DHCP / multicast SIP , support Remote upgrade, local upgrade)	
Network protocol	TCP   UDP   IP, RTP DHCP, SSH, HTTP, SIP	
<b>Safety</b>		
Advanced defense	Alert events, whitelists, blacklists	
<b>Physical characteristics</b>		
Global universal power supply	Input: 100~ ~ 240VAC, 50 / 60Hz;	
weight	Equipment weight: 3.5 Kg; Package weight: 4,4Kg	
Use the environment	Operating environment: 32 -113° F/ 0~ 45° C, humidity 10 - 90% (No condensation) Storage environment: 14-140°F   / - 10 ~ 60° C, humidity 10 - 90% (No condensation)	
Size	430mm (L) X 246.7mm (W) X 44.3mm (H) IU standard	
Installation	Desktop or cabinet installation	

### Additional features

Multi language support	Web user interface supports English / Simplified Chinese, customizable IVR / voice prompts in English, Chinese
Caller ID	ETSI-DTMF
Call Center	Supports call queues.
Customize Auto	Supports IVR (Interactive Voice Response)
Concurrent call	Up to 50 SIP terminals can be registered, up to 10 concurrent calls
members	Calls waiting, Call transfer, Ringing group,Subgroup,meeting,broadcast, blacklist, call / intercom, etc

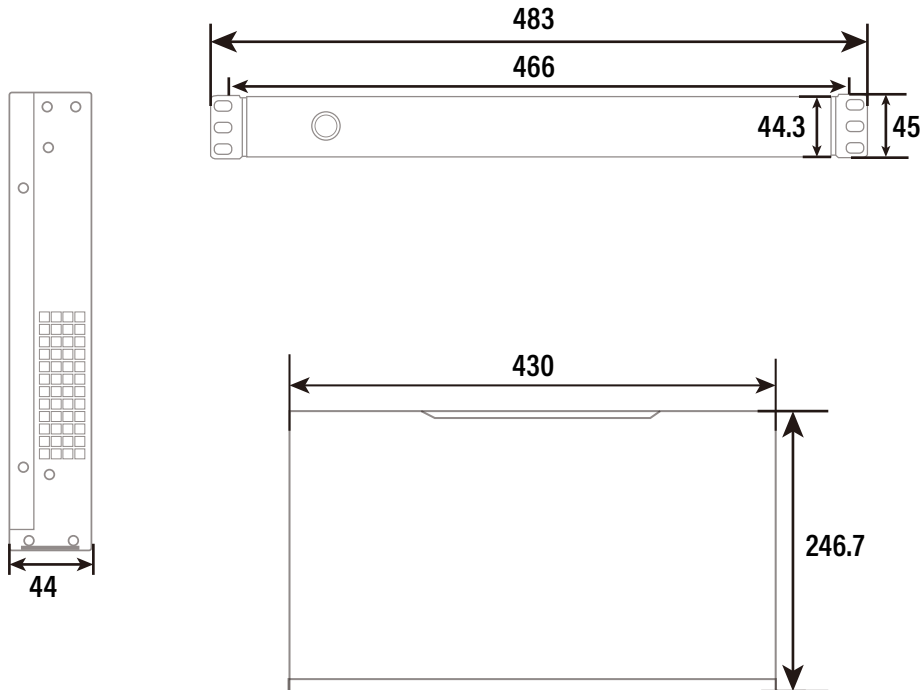
### KNTECHIP PABX MODEL NUMBER

REGISTER USER	SIMULTANEOUS CALLS	MODEL NUMBER
50 line	10 line	KNTD-50
100 line	20 line	KNTD-100
300 line	60 line	KNTD-300
500 line	100 line	KNTD-500
800 line	160 line	KNTD-800
1000 line	200 line	KNTD-01K
3000 line	600 line	KNTD-03K
5000 line	1000 line	KNTD-05K



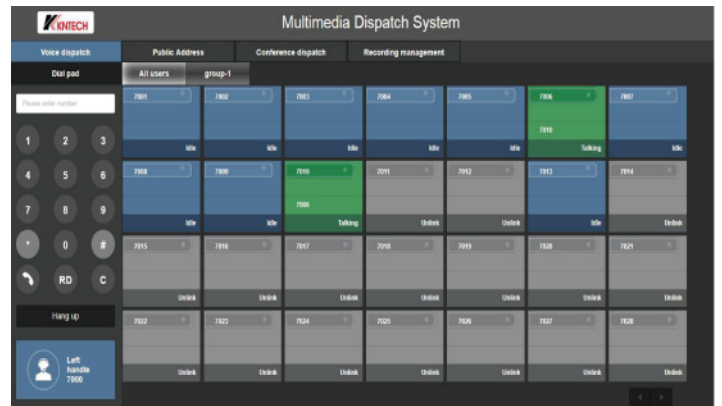
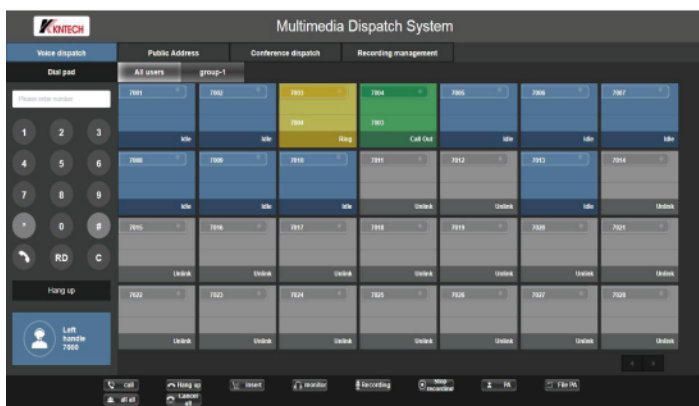
## Size display :

Unit: mm

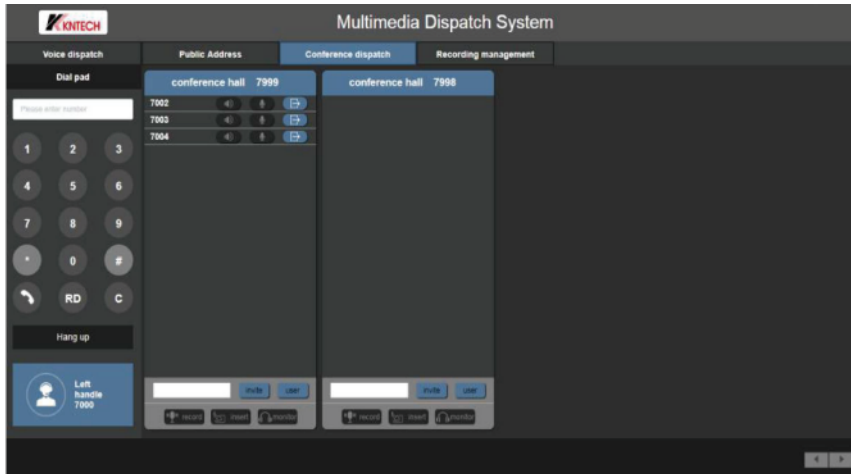


## Voice dispatch-Telephone call

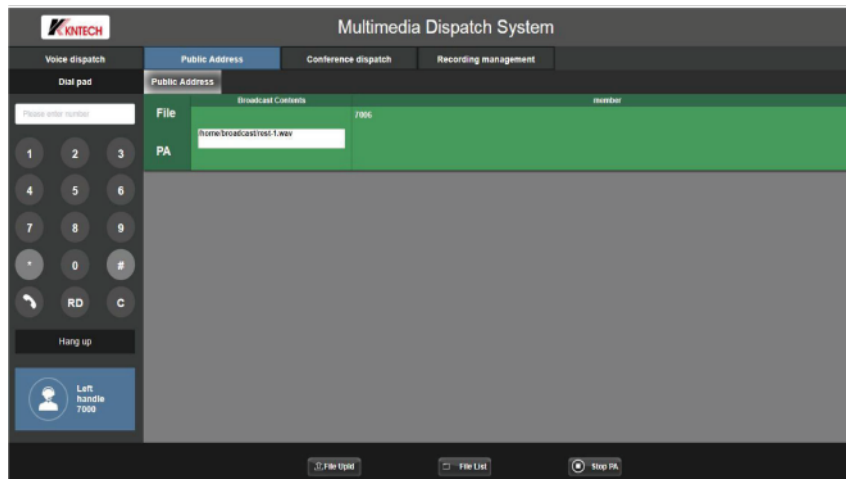
Blue color means on line , green color means ringing, yellow color means busy.



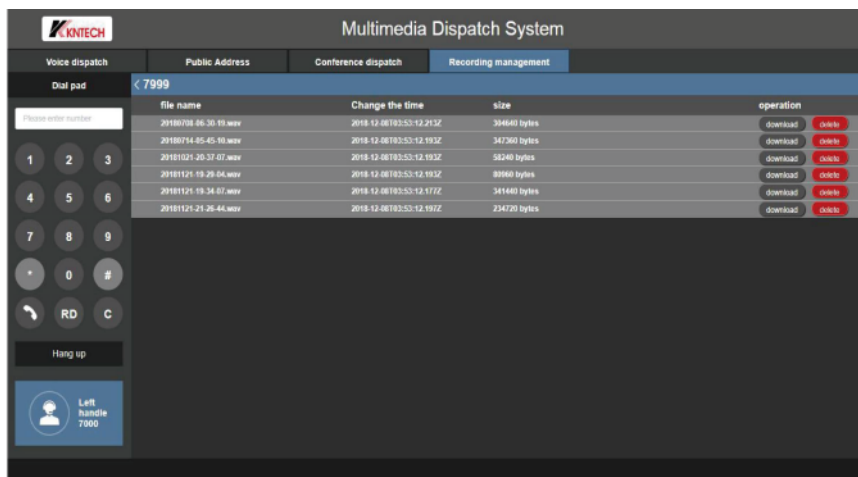
## Conference dispatch-Meeting room



## Public Address



## Configuration Manual



# Emergency telephone system

