



- > Clear, long-range speech
- > Simple installation with network Cable and PoE
- > Supports SIP (VoIP)

Top Suction Network SIP Speaker KNSIPSP-L9-6W

KNSIPSP-L9 - 6 W Network Ceiling Speaker is a simple-to-install indoor speaker that provides clear, long-range speech for remote speaking in video surveillance applications.

In live video monitoring situations, KNSIPSP-L9 - 6 W enables an operator to remotely address people and deter unwanted activity. The loudspeaker can also play a prerecorded audio file when it is manually or automatically triggered in response to an alarm event.

The SIP ceiling speaker makes announcements possible from anywhere with network connectivity. It easily integrates Voice over IP (VoIP) telephony systems that use SIP (Session Initiation Protocol).

The indoor-ready KNSIPSP-L9 - 6 W is easy to install. The loudspeaker has a built-in amplifier and supports Power over Ethernet (PoE). It connects directly to an IP network with one network cable for communication and power. Despite its low power consumption, KNSIPSP-L9 - 6W enables a high sound pressure exceeding 92 dB. Being a standalone unit, the IP speaker KNSIPSP-L9 - 6 W can be placed anywhere, enabling a flexible, scale-able and cost-effective approach to system design.

The speaker comes with prerecorded audio files and allows users to upload their own audio.

SPECIFICATION

Model	KNSIPSP-L9- 6W
Audio	
Audio streaming	One- way/(Differential output)
Audio compression	G.711 G723 G.726 G729 8 kHz,
Audio input/ output	Built- in microphone (can be disabled mechanically)
Built- in microphone specification	50 Hz - 16 kHz
Max sound pressure level	>92db
Frequency response	280 Hz - 12 .5 kHz
Coverage pattern	7 0 ° horizontal by 100 ° vertical (at 2 kHz)
Amplifier	
Amplifier description	Built- in 6W Class D amplifier
Supported protocols	IPv4/v6, HTTP, SIP, NTP, TCP, UDP, DHCP
General	
Casing	Impact- resistant aluminum, IP55 and NEMA 4 X- rated. For repainting instructions and impact on warranty, welcome to contact us directly
Memory	None
Power	Power over Ethernet (PoE) IEEE 802 .3 af/802 .3at Type 1 Class 3 (max 12 .95 W)
Connectors	RJ45 10BASE-T/ 100BASE-TX PoE
Operating conditions	-20 ° C to 50 ° C (-4 ° F to 122 ° F) Humidity 10 - 100% RH (condensing)
Approvals	
Dimension	240 X 156 (mm)

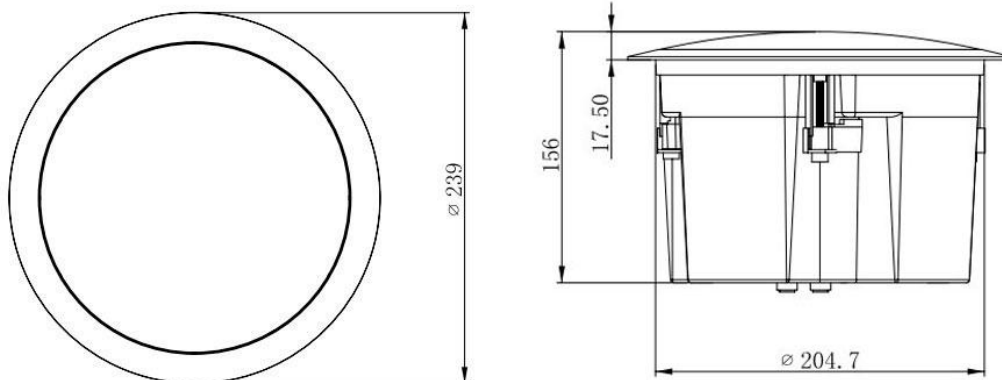
SIZE

SIZE : 240 X 156 (mm)

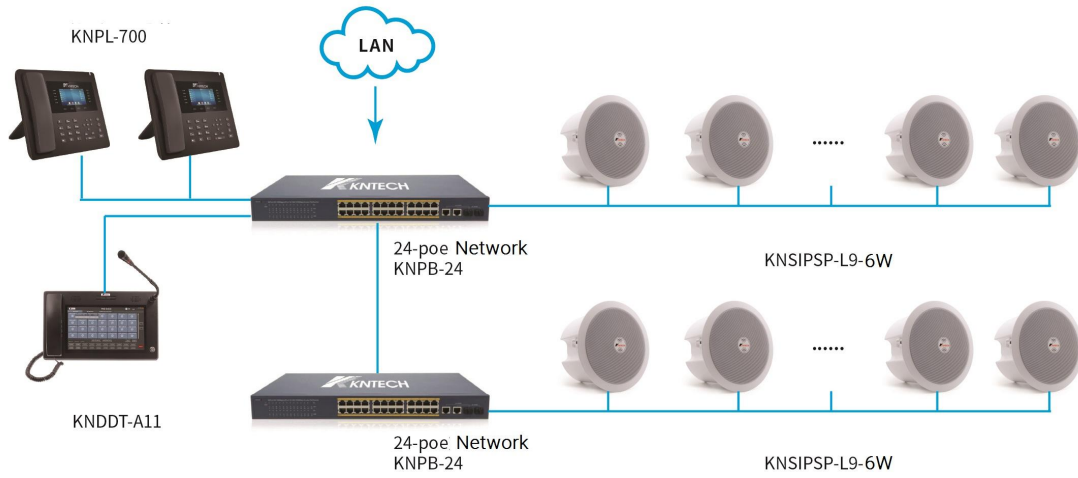
Mounting opening size : 210 mm

Weight : 3 .0 Kg

Speaker unit : 6 .5 "



How to connect ?



More view

