

## KNSIPSP-L4-30W Network SIP Speaker



- > Clear, long-range speech
- > Simple installation with network cable
- > Supports SIP (VoIP)
- > Clear and simple

KNSIPSP-L4-30W Network Horn Speaker is a simple-to-install outdoor loudspeaker that provides clear, long-range speech for remote speaking in video surveillance applications.

In live monitoring situations, KNSIPSP-L4-30W enables an operator to remotely address people and deter unwanted activity. The loudspeaker can also play a pre-recorded audio file when it is manually or automatically triggered in response to an alarm event.

KNSIPSP-L4-30W makes announcements possible from anywhere with network connectivity. It easily integrates Voice over IP (VoIP) telephony systems that use SIP (Session Initiation Protocol).

The outdoor-ready KNSIPSP-L4-30W is easy to install. The loudspeaker has a built-in amplifier and supports over Ethernet. It connects directly to an IP network with one network cable for communication. It is powered supply by AC110~240V. KNSIPSP-L4-30W enables a high sound pressure exceeding **109~125 dB**. Being a standalone unit, KNSIPSP-L4-30W can be placed anywhere, enabling a flexible, scalable and cost-effective approach to system design.

The speaker comes with pre-recorded audio files and allows users to upload their own audio.



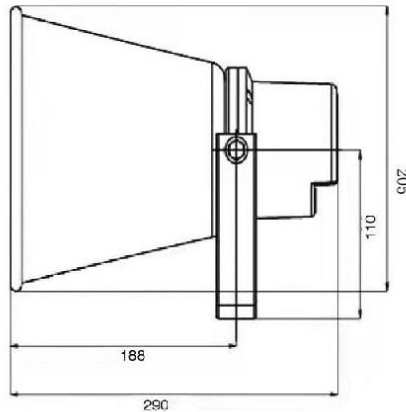
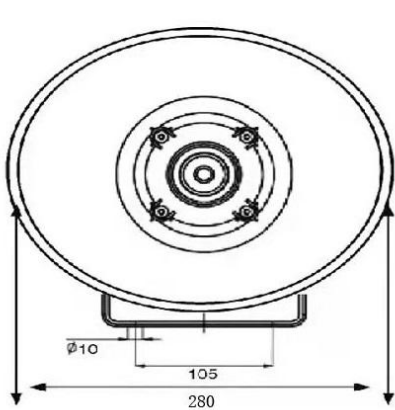
**HONGKONG KOON TECHNOLOGY LTD**

1001 Building T3\_01 Uni Center Baoan Shenzhen China  
 Tel: 00867552448753 Email: marketing@koontech.com  
 www.koontech.com

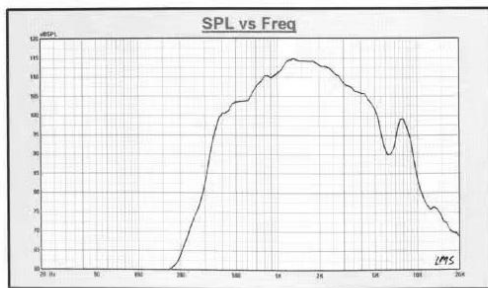
<b>Models</b>	KNSIPSP-L4-30W
<b>Audio</b>	
<b>Audio streaming</b>	One-way/ (Differential output)
<b>Audio compression</b>	G.711 PCM 8 kHz, G.726 ADPCM 8 kHz,
<b>Audio input/output</b>	Built-in microphone (can be disabled mechanically)
<b>Built-in microphone specification</b>	50 Hz - 16 kHz
<b>Speaker</b>	
<b>Max sound pressure level</b>	>125 dB/30W/1m
<b>Frequency response</b>	300 Hz - 8 kHz
<b>Coverage pattern</b>	70° horizontal by 100° vertical (at 2 kHz)
<b>Amplifier</b>	
<b>Amplifier description</b>	Built-in 30W Class D amplifier
<b>Supported protocols</b>	IPv4/v6, HTTP, SIP, NTP, TCP, UDP, DHCP

<b>General</b>	
<b>Casing</b>	Impact-resistant aluminum, IP66- and NEMA 4X-rated. For repainting instructions and impact on warranty, contact your partner
<b>Memory</b>	256 MB RAM, 256 MB Flash
<b>Power</b>	AC110-240V
<b>Connectors</b>	RJ45 10BASE-T/100BASE-TX
<b>Operating conditions</b>	-30°C to 70 °C (-4 °F to 122 °F) Humidity 10–100% RH (condensing)
<b>Approvals</b>	
<b>Dimension</b>	280*205*290 mm

**Dimension:**



**30W 8Ω**



Key to symbols used	
	Weatherproof
	IP rating EN 60529
	100V line
	Low impedance
	Double Insulated