

Model: KNJB-PA08

Product Name: Fire Linkage Broadcaster



Description

KNTECH firefighting linkage broadcaster is suitable for tunnels, highways, high-speed railways, subways, oil drilling platforms, power plants, nuclear power, metallurgy, chemical industry, public security and other fire protection fields. This broadcaster has 5 inputs and 4 outputs, and is automatically input through MODBUS protocol. , Output various fire alarm signals. Realize the automatic linkage broadcasting of the fire protection system, broadcasting system, and telephone broadcasting system.

IP line expansion module with input/output

Input and output method details

	Manual / Auto	Input method	Connection configuration method	→	output method	Output object
1	Manually select input	External audio input	4 channels 3.5mm audio interface	→	Manually select output GROUP	G1/G2/G3/G4
2	Automatically select input	Modbus TCP network RJ45	WEB configuration	→	WEB configuration select GROUP	G1/G2/G3/G4
3	Automatically select input	Modbus RTU RS232	WEB configuration	→	WEB configuration select GROUP	G1/G2/G3/G4
4	Automatically select input	Modbus TCP RS485	WEB configuration	→	WEB configuration select GROUP	G1/G2/G3/G4
5	Automatically select input	DRY CONTACT	WEB configuration	→	WEB configuration select GROUP	G1/G2/G3/G4

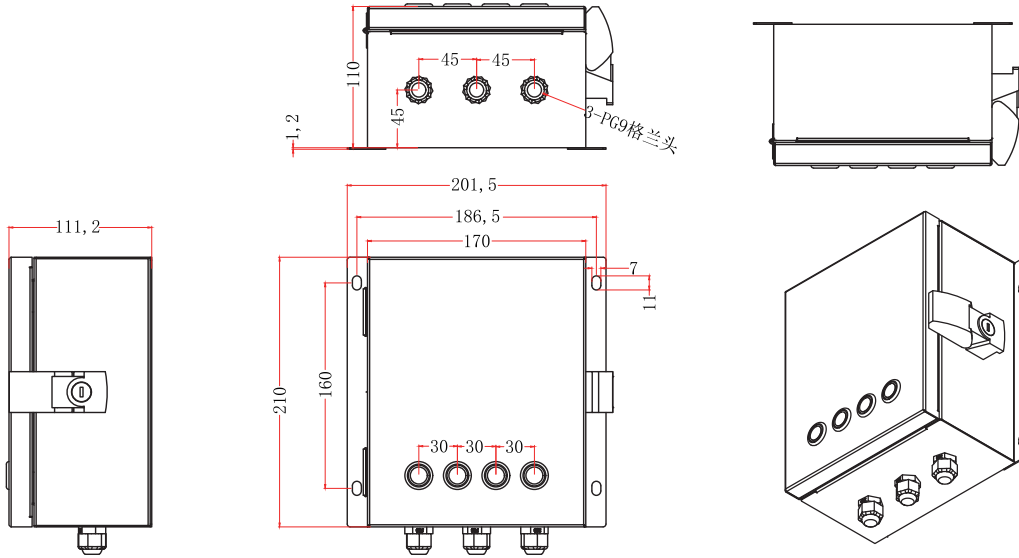
Features

1. Link fire protection system, broadcasting system, telephone broadcasting system through MODBUS protocol to start automatic broadcasting.
2. There are 4 broadcast groups to choose from, each button is a group of telephone broadcast systems, and each broadcast group can be configured with multiple broadcast terminals, SIP speakers or amplifier phones.
3. The quantity of terminals in each broadcast group is configured on the local web page or on the IP PBX softswitch system.
4. The input and output can be freely selected manually or automatically, and the broadcast target and broadcast area can be changed arbitrarily on the WEB interface.
5. 3 groups of LED lights respectively indicate power on/successful registration/network connection.
6. 4 groups of broadcast buttons, buttons with aperture display status.
7. Support web page automatic upgrade, support web page to restore factory settings.
8. The waterproof level of the whole machine is IP66.
9. International CE/FCC/design standards.
10. Outdoor use, anti-radiation, anti-interference.
11. Outdoor use, high-strength lightning resistance 230-3000V.
12. High-strength anti-impact current 8, 20US 2.5KA.
13. Operating temperature: -25℃ - 75℃.
14. With door lock, safe and convenient for maintenance.
15. POE power supply or AC230V/DC12V power supply optional.

Parameter

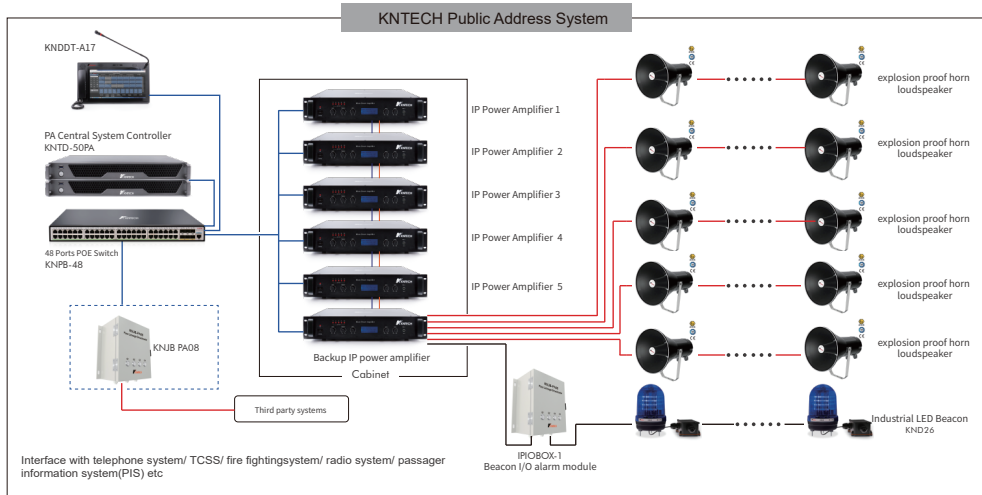
- | | |
|------------------------------------------------------------------------------------------------------------------------------------------------------|-----------------------------------------------|
| 1. VoIP SIP2.0 | 2.DTMF dialing |
| 3. MTBF100000hours | 4. MTTR: 2 hours |
| 5. Auxiliary Contacts:1 Aux Output, dry contact | 6. Rated load:0.3 A at 125 VAC; 1 A at 30 VDC |
| 7. Contact Ratings. Load: Resistive load | 8. Echo cancellation code:G.167/G.168 |
| 9. Rated carry current:1A | 10. Max.switching current:1A |
| 11. Max.switching voltage:125 VAC,60VDC | 12. Audio Codes:G.711, G.722, G.729 |
| 13. IP Protocols:IPv4, TCP, UDP, TFTP, RTP, RTCP, DHCP, SIP | |
| 14. Call Control Signaling:VOIP SIP Info(DTMF), RFC 2833(DTMF) | |
| 15. Network:10/100 BaseTX Ethernet, RJ45 connectors, Cat5e or better | |
| 16. Power:Power over Ethernet, IEEE802.3af, Class 0 Local power, 12VDC,Idle 2W, Max 10W | |
| 17. Programming:Non-volatile flash memory programming and configuration through Web GUI | |
| 18. Management and Operation:DHCP and static IP, remote automatic software upgrade, centralized monitoring, status LED | |
| 19. LAN Protocols:Power over Ethernet(PoE,802.3af), WLAN(IEEE 802.3af), Network Access Control(IEEE 802.1x),STP(IEEE 802.1d), RSTP(IEEE 802.1d-2004) | |

Size



Measure unit:mm

System solutions diagram



Web: www.koontech.com

Email: marketing@koontech.com

Tel: (HK Office) +852 9068 2799 / (Shenzhen Office) +86 755 2744 8753

Shenzhen Office: T3 1001, Yifang Center, Baoan, Shenzhen, China

HK Office: Unit 2C, 2nd Floor, Ka To Factory Building 2, Cheung Yue Street, Kowloon, Hong Kong

Factory: KNTECH Building, Phoenix Mountain, Limhai Zone, Shajiao Community, Humen, Dongguan, China