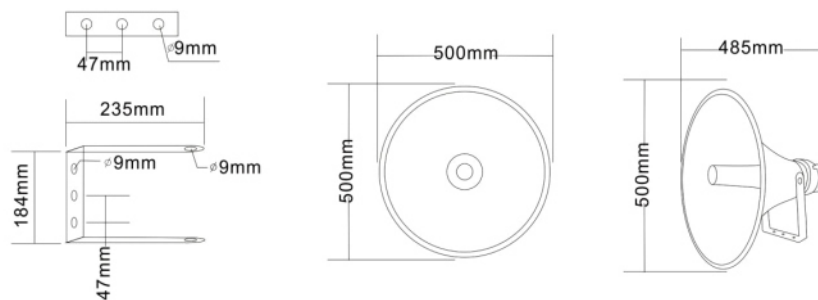




Material: plastic shell + iron mesh cover



Description:

All aluminum alloy structure, wide frequency domain waterproof horn, large power, strong sound penetration, wide coverage, suitable for square, railway station, etc.

Specifications:

Model	KNL-11
Rated Power(100V)	25W, 50W, 100W
Rated Power(70V)	12.5W, 25W, 50W, 100W
Maximum Power	200W
Impedance	COM /400Ω/200Ω/100Ω/ 50Ω
Frequency Response (-20dB)	160-8KHz
Sensitivity (1W/1M)	114dB±3dB
Dimension	485×500mm
Weight	4.7Kg
IP Rate	IP×6