

IP Amplifier

Model Number: IPMG 600W



This power amplifier unit is an 8-channel IP power amplifier. The output power of each amplifier channel is adjusted according to the connected speaker load, limited only by the overall power budget of the whole amplifier. The unit is connected to the central exchange unit via Ethernet CAT5 or CAT6 or fiber cable. The amplifier is a Class D power amplifier due to its especially high efficiency, low power consumption and long life.

This network public address system is suitable for tunnels, docks, factories, schools, Hospital, subways and other places where the environment is harsh and noisy.

Function

- 8-channel power amplifier.
- IP amplifier Self-diagnosis.
- Display and function keys at the front of the unit
- Integrated loudspeaker loop monitoring
- Support for output A/B redundant Line
- Dual port redundancy
- Dual power redundancy
- Analog audio lifeline input
- Integrated web interface
- Intelligent N+1 backup control
- Integrated monitoring functions (short circuit, excess temperature, voltage failure, function monitoring)
- Distortion factor < 0.5% at rated power

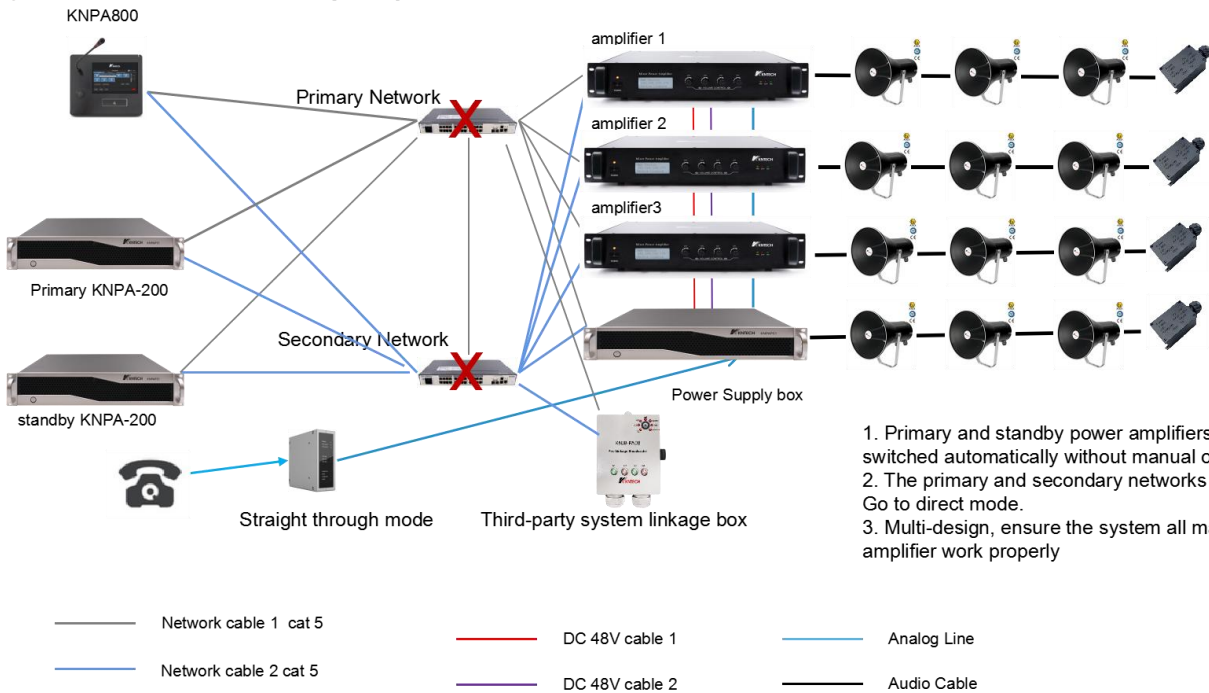


Specification

Model	IPMG 600
rated power (All channels)	600W
Protocols	RTP, UDP, TCP/IP, FTP;
Network interface	RJ45 * 2 10/100 BASE-T
Amplifier outputs	100V voltage output
Protection Circuit	Overheat,over-voltage,over-current,short circuit protection.
End-of-Line detection mode	Pilot tone 22 kHz
Frequency response	20~20kHz (±3dB)
Audio format	MP3/WAV
Sampling rate	48K
Signal to Noise Ratio (SNR)	>102dB
Total harmonic distortion	<0.5% at 1kHz
Power supply	Dual power redundancy DC48V
Operating temperature/humidity	-10°C ~ +50°C,<95%
Ingress protection	IP30
Material/Color	Aluminum/black
Dimensions (HxWxD)	482(W) × 88(H) × 690(D) mm
Applicable Standards	ISO 9001 - Quality management systems NO: 2700022Q50006R0S ISO 14001 - Environmental management systems NO: 2700022E50087R0S ISO 45001- Occupational health and safety management systems NO: 2700022S20088R0S EN 54-16 Certification number: TH2307026-C01-C01 Report number: TH2307026-C01-R01

- IP Amplifier, 600W 4/8-channel Class D power amplifier
- The amplifier adapt the maximum output power of each amplifier channel to its connected loudspeaker load,with freeassignable output power per channel for a total maximum of 600 watt per amplifier, supporting 100 V operation with direct drive capability and outputs.
- The amplifier have a built-in independent spare amplifier channel for automatic fail over.The amplifier
- with dual Ethernet ports for redundant network connection.
- The amplifier with automatic fail over to an analog lifeline input
- The amplifier have dual power supply inputs and power suppliers.
- The amplifier have front-panel Light Emitting Diode (LED) indications status
- The amplifier is rack mountable (2U)
- The amplifier is certified for EN 54-16 and ISO 7240-16, marked for CE and be compliant with the ROHS directive orequivalent.

Integrated N+1 backup System



1. Primary and standby power amplifiers can be switched automatically without manual operation.
2. The primary and secondary networks are down. Go to direct mode.
3. Multi-design, ensure the system all main power amplifier work properly

Flexible collocation :

Independent amplifier channels; integrated standby channels can be enabled automatically in the event of channel failure;

Primary and standby redundancy:

when the IP amplifier plays audio sources, the standby channel can replace any damaged audio channel at any time, whichever fault occurs first.

When the damaged audio channel is restored, the alternate channel can replace another damaged channel.

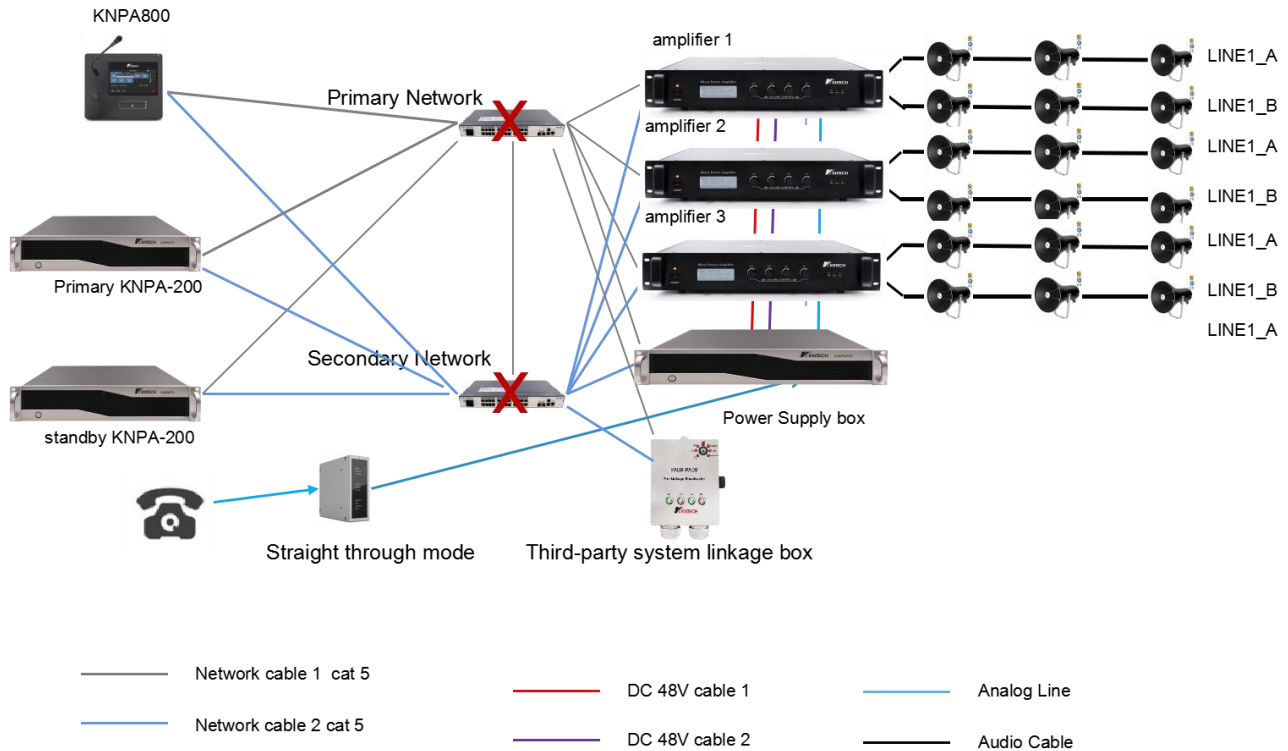
Network Speaker

360 ° lossless broadcasting

- Waterproof IP66
- POE Powered
- Bracket Mounted



A+B System



1. Primary and standby redundancy:

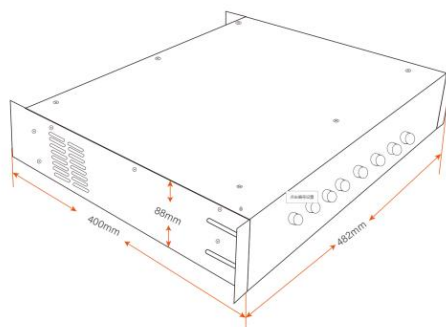
when the IP amplifier plays audio sources, the standby channel can replace any damaged audio channel at any time, whichever fault occurs first.

When the damaged audio channel is restored, the alternate channel can replace another damaged channel.

2. The dispatcher and the main and backup IP power amplifiers are automatically connected to the A/B host, and when the A host fails, it will automatically switch to the B host.

3. Integrated loudspeaker loop monitoring.

Size display



Web: www.koontech.com

Email: marketing@koontech.com

Tel: (HK Office) +852 9068 2799 / (Shenzhen Office) +86 2744 8753

Office:

HK Office: Unit C5, 11/F, Ka To Factory Building, 2 Cheung Yue Street, Cheung Sha Wan, Kowloon, Hong Kong

Shenzhen Office: T3 1001, Yifang Center, Baoan, Shenzhen, China

Factory: KNTECH Building, Phoenix Mountain, Limhai Zone, Shajiao Community, Humen, Dongguan, China