



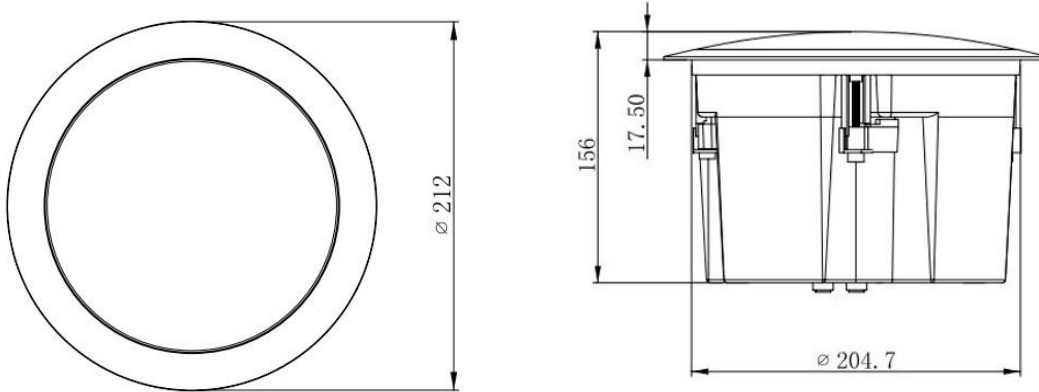
## Ceiling Loudspeaker

Model :L9-6W

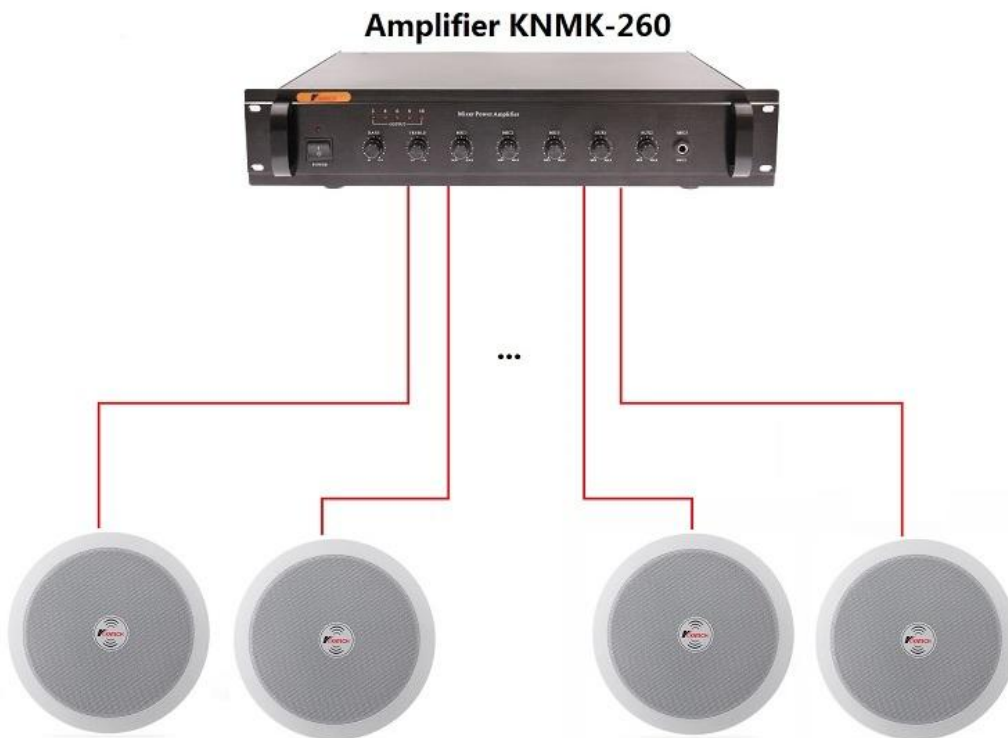
### SPECIFICATION

Freq.Range:	80- 18KHz(- 10dB) SPL(1W/M):105±3dB Rated SPL:125±3dB
Impedance:	8 Ohm
Input Power:	6W
Mounting:	Mounting:
Audio Port:	2 Pin Terminal Audio Input
M& Finish:	Aluminum/White Powder Painting
IP Level:	IP55
SIZE :	Φ 2 4 0 * 1 4 2 m m
Weight :	3 Kg
Inner packing box:	290*210*285      G.W 2.8kg      1pcs packing
G.W.	2.8kg      1pcs packing
Packing:	7 4 0 * 2 7 5 * 5 4 5 M M      G.W. 22KG 8pcs in one big box.

**SIZE:**



**How to connect:**



**More View:**

