

Paging Microphone

Wallmount call station Model No.: KNPA800 or KNPA800PLUS
Desktop call station Model No.: KNPA800W or KNPA800WPLUS



Model Number: KNPA800

Call station with gooseneck microphone



Model Number: KNPA800 PLUS

Call station with gooseneck microphone and extensions



Model Number: KNPA800W

Call station with hand-held microphone



Model Number: KNPA800W PLUS

Call station with hand-held microphone and extensions



Desktop call station



Wallmount call station

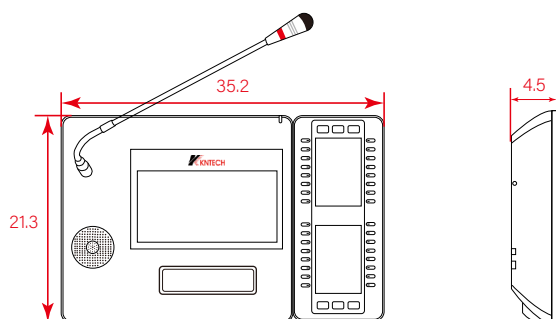
- Designed exclusively for use with the PA system.
 - Dual Ethernet ports for redundant network connection.
 - Line powered. Power over Ethernet (PoE) via network connections.
 - 7inch TFT touch screen.
 - The call station with optional call station extensions, which offering 32 X 6page total 196 configurable buttons with TFT display for zone selection and other purposes. TFT display for zone selection and other purposes.
 - The call station provide control and routing of live speech calls, stored messages and music with volume control per zone. The volume control shall be easily accessible and adjustable.
 - The call station have a hand-held omnidirectional microphone for live calls and a 3.5 mm jack line level input for background music, and provide software-configurable signal processing including sensitivity control, parametric equalization and limiting.
 - The call station certified for EN 54-16 and ISO 7240- 16, marked for CE and be compliant with the RoHS directive or equivalent.
-
- The call station activating recorded voice messages with clarity;
 - The call station support selected zone paging,group-zone paging and all-call paging;
 - The call station pre-recorded message broadcast to select zones;
 - The call station output volume-adjustable buzzer sound when emergency status is activated;
 - The call station with Gooseneck type unidirectional electret condenser microphone;
 - The call station with microphone volume control;
 - The call station with push-to-talk button for indicating activation;
 - The call station with LED indicators for indicating power status and communication status;



Specification

Power Source	Line powered from remote PA Power supply box
Maximum Cable Distance	Cat 5 for within 100M / Fiber+Pair cable for 3KM
Current Consumption	24V Dc (24W)
Monitor loudspeaker at 1m	79 dB SPL
Frequency Response	100 Hz - 20 kHz
Microphone	Gooseneck microphone
Polar pattern	Unidirectional
Distortion	1 % or less
Signal to Noise Ratio	60 dB or more
Chime	Built inside (PCM sound source), monitoring possible using built-in speaker
Connection Cable	Fiber cable + pair cable 1.0mm
Connectable Expansion	192 Paging button
Monitor Speaker	Built inside
Indicator	Power indicator, Failure indicator, Function switch indicator,
Operating Temperature	0 °C to +40 °C (32 °F to 104°F)
Operating Humidity	35 % to 80 % RH
Finish	ABS
Dimensions	213 W x 45 (H) x 352(D) mm (excluding microphone)
Weight	0.93kg
Audio input (3.5mm audio socket)	0 dBV, 600 ohm, balanced
Distortion	< 1%

Size display



All Dimensions are in cm

Web: www.koontech.com

Email: marketing@koontech.com

Tel: (HK Office) +852 9068 2799 / (Shenzhen Office) +86 2744 8753

Office: Shenzhen Office: T3 1001, Yifang Center, Baoan, Shezhen, China

HK Office: Unit C5, 11/F, Ka To Factory Building, 2 Cheung Yue Street, Cheung Sha Wan, Kowloon, Hong Kong

Factory: KNTECH Building, Phoenix Mountain, Limhai Zone, Shajiao Community, Humen, Dongguan, China