



www.koontech.com

香港昆仑科技(深圳)有限公司

Regular Customer

THALES SIEMENS



Alcatel-Lucent



HUAWEI

ERICSSON  
TAKING YOU FORWARD

AVAYA  
The Power of We



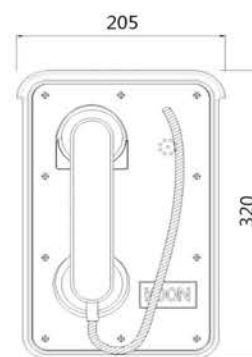
Weatherproof phone **KNSP-11**



## The most professional manufacture in Asia The exclusive supplier for all Metro project in China

The Weatherproof phone will be designed to work on Railway, metro, tunnel, etc. Housed in robust aluminium die case with spring loaded door, it will offer protection against the outdoor environment, vandals resistance and rot resistance.

The unit will meet all the latest European/UK standards for EMC and US FCC, telephony, waterproofing Ip 66, and lightning protection together with offering the level of performance and reliability demanded in such an environment.



- Standard and SMART Analogue and VoIP-SIP options available
- DTMF(Dual Tone Multi Frequency)
- Matching with most PABX,PBX and PAX systems.

### Main Product features

1. Robust aluminium alloy die-cast body.
2. Full keypad with memory, 10 button programmable speed-dial telephone, Illuminated button optional.
3. Weather resistant to IP66 standard, service temperature range from:-35°C to +75°C
4. Magnetic reed hook-switch
5. Telephone line powered. No external power or battery back up required.
6. Lightning protection to ITU-T recommendation K.21
7. Handset: made of special engineering plastic, high anti-knock resistance, Weatherproof, armoured cable optional.
8. Hearing Aid compatible receiver, Noise canceling microphone.
9. Handset integrity wiring to enable the telephone system to check if the telephone unit is still operational.
10. Selectable 7 minute time out, to release the line if the handset is left off hook.
11. Vandal resistant and tamper-resistant hardware,
12. Easy installation/ replacement
13. Last number redial
14. Adjustable ringer and volume control.

### Main PCB

1. Well treated PCB used inside the phone.
2. Robust screw terminals used for the connection of ringer, handset, line in, hookswitch.
3. Selectable 7 minute time out, to release the line if the handset is left off hook.
4. All connectors be greased in production.

### Handset

1. Kirk electro dynamic transducer for both handset transmitter and receiver
2. Spring cable or armoured cable to attach the handset to the telephone main unit
3. Stainless steel cable to connect exchange.
4. Inductive coupler fitted for hearing aid compatibility.
5. Handset integrity wiring to enable exchange to check if the phone is still operational.

### VOICE OVER IP-SIP (Version)

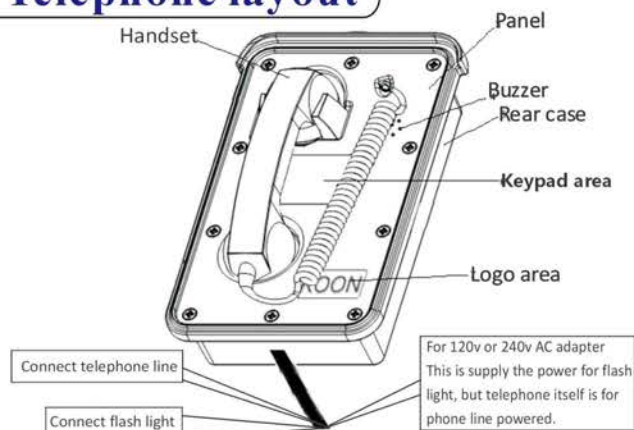
Connection type: RJ45 Socket inside sealed enclosure  
Power supply: Powered by POE (Please tell if you need external 24V dc)

Call set-up Protocol: Session Initiation Protocol (SIP)  
Configuration:DHCP or STATIC IP address provisioning



The most professional manufacture in Asia  
The exclusive supplier for all Metro project in China

### Telephone layout



### GSM version

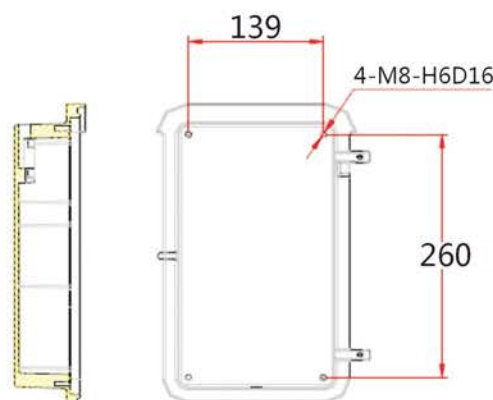
GSM 2G/3G Solar Powered with built-in rechargeable battery

1. Network Interface: GSM Frequency: 850/900/1800 /1900MHZ, 2G, 3G,WCDMA,
2. Ringing: Through internal Speaker/ringer
3. Power Supply: Re-chargeable Battery powered: 9V/14Ah,
4. Solar back-up: 12V/30W
5. Time out: selectable 0-20 minutes
6. Built-in battery standby: 21 days, can improve to 42 days.
7. Built-in battery talking time: 56hours, can improve to 100 hours

### TECHNICAL SPECIFICATION

1. Applicable for various types of SPC exchange and dispatching exchange system with feeding voltage of 33V-60V.
2. Ambient temperature:-35°C~75°C Relative humidity:10%~95% Atmospheric pressure: 86~106Kpa Circumstance noise:≤ 60dB ( A )
3. Sound level of ringing : 70-85dB ( A ) .
4. Call transmission index : (7KM)SLR≤12,RLR≤-1, STMR≥10, output impedance is 600Ω.
5. Super strong function is available for dialing 12 groups of numbers stored in the memory ( maximum length of each store number is16 digits )

### Mounting bracket



### Connection cable

Stainless steel connection cable to exchange.  
Well treated keep waterproof.

### Packing detail:



Unit size: 320\*205\*110mm , N.W: 5.1KG  
 1pcs in each inner CTN box, size: 439 \*277 \*191mm G.W: 6.9KG  
 4pcs in outer CTN box, size: 566 \* 445 \*420mm G.W: 28.9KG  
 20GP: 1120PCS 40GP: 2240PCS 40HQ: 2640PCS

### Certification:



EMC: EN50121 (Railway application-  
Electromagnetic Compatibility)  
 EN55022: emissions  
 En55024: immunity  
 Ingress Protection: GB4208-93 IP 66  
 FCC  
 ITU-T Recommendations K21



**HONGKONG KOON TECHNOLOGY LTD**

Tel: 0086755 29790158 / 27448753 Fax:0086755 29790278 Email:koon03@vip.163.com www.koontech.com