



VOIP KNZD-51 Robust Door Phone

DESCRIPTION ITEM NO. ZD0510022

1. Robust aluminum alloy die-cast body stainless steel faceplate.
2. Waterproof rating IP55, dust-proof.
3. Support RFID, remote and password door open.
4. With light on metal Keyboard.
5. Lightning protection to ITU-T recommendation K.21.
6. POE, power supply DC12V.
7. Temperature range from -40 degree to +70 degree.
8. Support standard Session Initiation Protocol(SIP), RFC 3261.
9. Calling indoor extension for two-way conversation.
10. Support echo cancellation.
11. Remote software upgrade, configuration and monitoring.
12. Built-in dynamic noise reduction, to achieve high-quality voice communications.
13. Optional 7 minutes time out to release the line if the other hand hang up. This function is upon buyer's requirement).
14. The housing covered with a layer of reflective label for easy identification at night. Optional
15. Application: Tunnel, metro, railway, LRT, speedway, marine, ship, offshore, mine, power plant, bridge etc.



SPECIFICATION

VoIP SIP2.0 telephone

DTMF dialing

Audio Codes: G.711, G.722, G.729

MTBF:100000hours

MTTR: 2 hours

Network:10/100 BaseTX Ethernet, RJ45

Free dial(maximum length of each number is 16 digits)

connectors, Cat5e or better

Communication: Full duplex 2-way hands-free communication

IP Protocols: IPv4, TCP, UDP, TFTP, RTP, RTCP, DHCP, SIP

Call Control Signaling: VOIP SIP Info(DTMF), RFC 2833(DTMF)

LAN Protocols: Power over Ethernet(PoE,802.3af), WLAN(IEEE 802.3af), Network Access

Power: Power over Ethernet, IEEE802.3af, Class 0 Local power, 12VDC,Idle 2W, Max 10W

Control(IEEE 802.1x), STP(IEEE 802.1d), RSTP(IEEE 802.1d-2004)

Auxiliary Contacts:1 Aux Output, dry contact

Programming: Non-volatile flash memory

Contact Ratings. Load: Resistive load

programming and configuration through Web GUI

Rated load: 0.3 A at 125 VAC; 1 A at 30 VDC

Management and Operation: DHCP and static IP,

Rated carry current:1A

remote automatic software upgrade, centralized

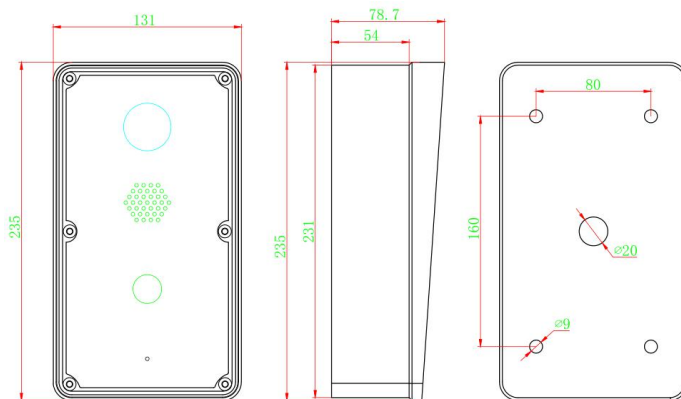
Max.switching voltage: 125 VAC, 60VDC

monitoring, status LED

Max.switching current:1A

Echo cancellation code:G.167/G.168

INSTALLATION



CERTIFICATION

RCM: AS/NZS CISPR 32

Australian communications: AS/CA S004

Australian Equipment-safety: AS/NZS 60950.1:2015

EMC: EN50121(Railway application-Electromagnetic Compatibility)



RoHS

PACKING



Unit size: 235*131*78.7mm

Unit N.W:2.0KG

1pc packing box size: 330*180*110mm

Unit N.W:2.0KG Unit G.W:2.6KG

2pcs in 1 outer Carton box: size: 350*240*190mm N.W:5.2KG G.W:4.72KG



HONGKONG KOON TECHNOLOGY LTD

TEL:0086755 29790158/27448753 Fax:0086755 29790278
Email:marketing@koontech.com www.koontech.com