



VoIP KNZD-11 Audio Intercom

DESCRIPTION ITEM NO.ZD0110022

1. Working with HUAWEI, AVAYA, ALCATEL, MITEL, 3CX, etc
2. When ON/OFF active with dry contact signal output for CCTV interface
3. Stainless steel 304 body, vandal & tamper-resistant hardware, easy installation
4. Waterproof rating IP55 dust proof
5. Built-in loud speaker 3W
6. Hands-free button, auto-answer and auto-hang up
7. Flush mounted installation
8. POE power supply or DC12V
9. Service temperature range from -40 degree to +70 degree
10. Support echo cancellation
11. Remote software upgrade, configuration and monitoring
12. Optional 7 minute time out to release the line. (This function upon buyer's requirement)
13. Body in electrophoresis process finish no fingerprint, resistant to corrosion
14. Application: Metro, railway, LRT, speedway, bank, university, hotel, clean room, elevator etc

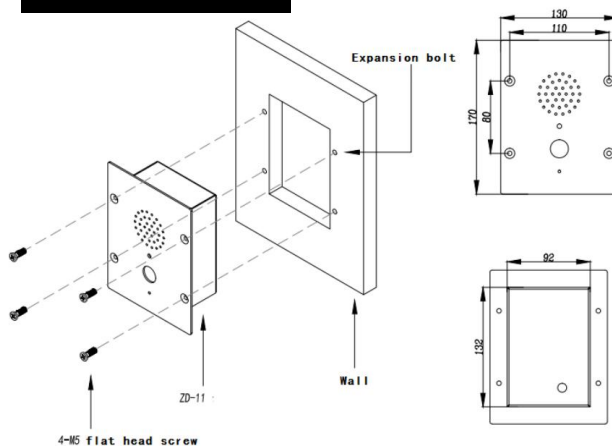


SPECIFICATION

VoIP SIP2.0 telephone DTMF dialing
 MTBF:100000hours MTRR: 2 hours
 Hotline(maximum length of each number is 16 digits)
 Communication: Full duplex 2-way hands-free communication
 Call Control Signaling:VOIP SIP Info(DTMF), RFC 2833(DTMF)
 Power:Power over Ethernet, IEEE802.3af, Class 0
 Local power, 12VDC,Idle 2W, Max 10W
 Auxiliary Contacts:1 Aux Output, dry contact
 Contact Ratings. Load: Resistive load
 Rated load:0.3 A at 125 VAC; 1 A at 30 VDC
 Rated carry current:1A
 Max.switching voltage:125 VAC,60VDC
 Max.switching current:1A

Audio Codes:G.711, G.722, G.729
 Network:10/100 BaseTX Ethernet, RJ45 connectors, Cat5e or better
 IP Protocols:IPv4, TCP, UDP, TFTP, RTP, RTCP, DHCP, SIP
 LAN Protocols:Power over Ethernet(PoE,802.3af), WLAN(IEEE 802.3af), Network Access Control(IEEE 802.1x),STP(IEEE 802.1d), RSTP(IEEE 802.1d-2004)
 Programming:Non-volatile flash memory programming and configuration through Web GUI
 Management and Operation:DHCP and static IP, remote automatic software upgrade, centralized monitoring, status LED
 Echo cancellation code:G.167/G.168

INSTALLATION



CERTIFICATION

RCM: AS/NZS CISPR 32 Australian communications:AS/CA S004
 Australian Equipment-safety: AS/NZS 60950.1:2015
 EMC: EN50121(Railway application-Electromagnetic Compatibility)



RoHS

PACKING



Unit size:170*130*60mm

Unit: N.W:0.65KG

1pcs packing box size: 200*140*100mm

Unit N.W:0.65KG Unit G.W:1KG

12pcs in 1 outer Carton box: size: 500*360*420mm N.W:7.8KG G.W:13.1KG



HONGKONG KOON TECHNOLOGY LTD

TEL:0086755 29790158/27448753 Fax:0086755 29790278
 Email:marketing@koontech.com www.koontech.com