



VOIP KNZD-45IP Robust Intercom

DESCRIPTION ITEM NO.ZD45IP0022

1. Robust aluminium alloy die-cast body stainless steel face plate -IK 10
2. Waterproof rating IP66dust proof.
3. LED indicator for incoming call.
4. Built-in loudspeaker. 3W Class D amplifier @POE feeding.
10W Class D amplifier @ AC power feeding.
5. Lightening protection to ITU-T recommendation K.21.
6. POE power supply or DC12V.
7. Temperature range from -40 degree to +70 degree.
8. Support standard Session Initiation Protocol(SIP), RFC 3261.
9. Calling indoor extension for two-way conversation.
10. Support echo cancellation.
11. Remote software upgrade, configuration and monitoring.
12. Background noise cancellation
13. HD voice quality.
14. With 20 years of expirience over 500K shipped, reliable quality and trustworthy
15. Application: Tunnel, metro, railway, LRT, speedway, marine, ship,offshore, mine, power plant
16. Compatable with AVAYA CISCO ALCATEL KNTECH NEC IPPABX



SPECIFICATION

VoIP SIP2.0 telephone

DTMF dialing

Audio Codes:G.711, G.722, G.729

MTBF:100000hours

MTTR: 2 hours

Network:10/100 BaseTX Ethernet, RJ45

Hotline(maximum length of each number is 16 digits)

connectors, Cat5e or better

Communication: Full duplex 2-way hands-free communication

IP Protocols:IPv4, TCP, UDP, TFTP, RTP, RTCP, DHCP, SIP

Call Control Signaling:VOIP SIP Info(DTMF), RFC 2833(DTMF)

LAN Protocols:Power over Ethernet(PoE,802.3af), WLAN(IEEE 802.3af), Network Access

Power:Power over Ethernet, IEEE802.3af, Class 0

Control(IEEE 802.1x),STP(IEEE 802.1d),

Local power, 12VDC,Idle 2W, Max 10W

RSTP(IEEE 802.1d-2004)

Auxiliary Contacts:1 Aux Output, dry contact

Programming:Non-volatile flash memory

Contact Ratings. Load: Resistive load

programming and configuration through Web GUI

Rated load:0.3 A at 125 VAC; 1 A at 30 VDC

Management and Operation:DHCP and static IP,

Rated carry current:1A

remote automatic software upgrade, centralized

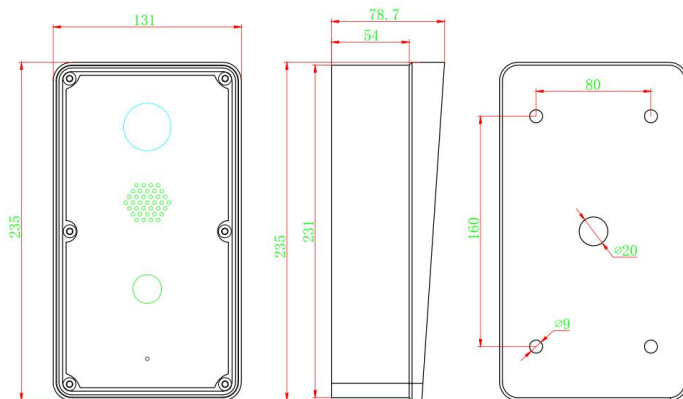
Max.switching voltage:125 VAC,60VDC

monitoring, status LED

Max.switching current:1A

Echo cancellation code:G.167/G.168

INSTALLATION



CERTIFICATION

RCM: AS/NZS CISPR 32

Australian communications:AS/CA S004

Australian Equipment-safety: AS/NZS 60950.1:2015

EMC: EN50121(Railway application-Electromagnetic Compatibility)



RoHS

PACKING



Unit size:235*131*78.7mm

Unit: N.W:1.5KG

1pcs packing box size: 330*180*110mm

Unit N.W:1.5KG Unit G.W:2.06KG

2pcs in 1 outer Carton box: size: 350*240*190mm N.W:3KG G.W:4.72KG



HONGKONG KOON TECHNOLOGY LTD

TEL:0086755 29790158/27448753 Fax:0086755 29790278
Email:marketing@koontech.com www.koontech.com