



www.koontech.com

香港昆仑科技(深圳)有限公司

Regular Customer

THALES SIEMENS



Alcatel·Lucent



HUAWEI

ERICSSON
TAKING YOU FORWARD

AVAYA
The Power of We



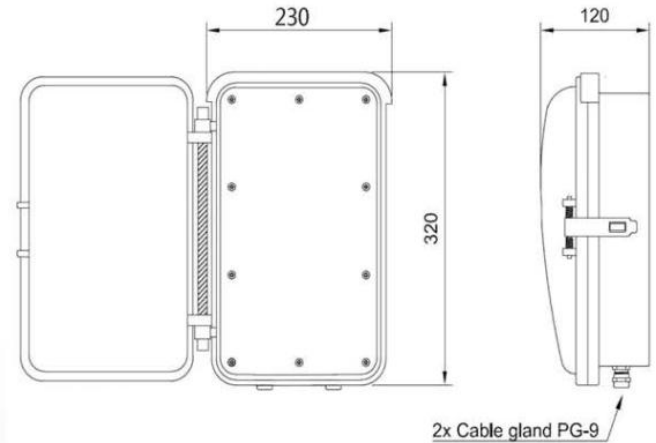
Weatherproof phone **KNSP-04**



The most professional manufacture in Asia The exclusive supplier for all Metro project in China

The Weatherproof phone will be designed to work on Railway, metro, tunnel, etc. Housed in robust aluminium die case with spring loaded door, it will offer protection against the outdoor environment, vandals resistance and rot resistance.

The unit will meet all the latest European/UK standards for EMC and US FCC, telephony, waterproofing IP 66, and lightning protection together with offering the level of performance and reliability demanded in such an environment.



Main Product features

1. Robust aluminium alloy die-cast body.
2. One button for calling/answering
3. Door cover: orient automatically and good self-closing, convenient for use.
4. Weather resistant to IP66 standard,(Can up to IP67),Service temperature range from:-35°C to +75°C
5. Without keypad and hand-free
6. Telephone line powered. No external power or battery back up required.
7. Lightning protection to ITU-T recommendation K.21
8. Hearing Aid compatible receiver, Noise canceling microphone.
9. Selectable 7 minute time out, to release the line if the handset is left off hook.
10. Vandal resistant and tamper-resistant hardware,
11. Easy installation/ replacement
12. Adjustable ringer and volume control.

- Standard and SMART Analogue and VoIP-SIP options available
- DTMF(Dual Tone Multi Frequency)
- Matching with most PABX,PBX and PAX systems.

Main PCB

1. Well treated PCB used inside the phone.
2. Robust screw terminals used for the connection of ringer, handset, line in, hookswitch.
3. Selectable 7 minute time out, to release the line if the handset is left off hook.
4. All connectors be greased in production.

VOIC OVER IP- SIP (Version)

Connection type: RJ45 Socket inside sealed enclosure
Power supply: Powered by POE (Please tell if you need external 12V dc)

Call set-up Protocol: Session Initiation Protocol (SIP)
Configuration:DHCP or STATIC IP address provisioning



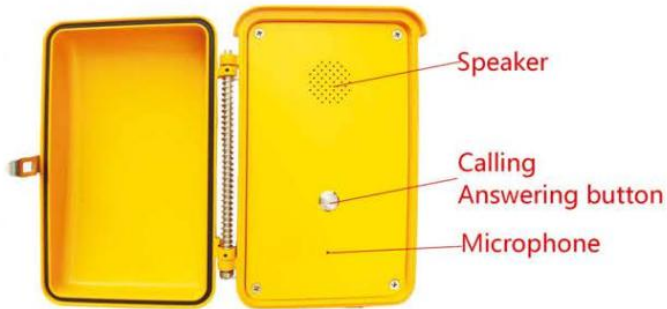
HONGKONG KOON TECHNOLOGY LTD

Tel: 0086755 29790158 / 27448753 Fax:0086755 29790278 Email:koon03@vip.163.com www.koontech.com



The most professional manufacture in Asia
The exclusive supplier for all Metro project in China

Telephone layout



GSM version

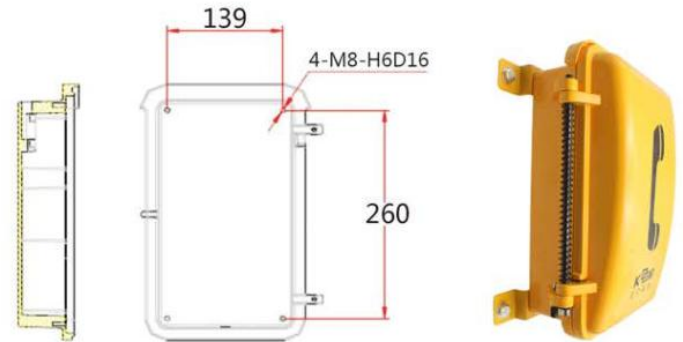
GSM 2G/3G Solar Powered with built-in rechargeable battery

1. Network Interface: GSM Frequency: 850/900/1800 /1900MHZ, 2G, 3G,WCDMA,
2. Ringing: Through internal Speaker/ringer
3. Power Supply: Re-chargeable Battery powered: 9V/14Ah,
4. Solar back-up: 12V/30W
5. Time out: selectable 0-20 minutes
6. Built-in battery standby: 21 days, can improve to 42 days.
7. Built-in battery talking time: 56hours, can improve to 100 hours

TECHNICAL SPECIFICATION

1. Applicable for various types of SPC exchange and dispatching exchange system with feeding voltage of 33V-60V.
2. Ambient temperature:-30°C~70°C Relative humidity:10%~95% Atmospheric pressure: 86~106Kpa Circumstance noise:≤ 60dB (A)
3. Sound level of ringing : 70-85dB (A) .
4. Call transmission index : (7KM)SLR≤12,RLR≤-1, STMR≥10, output impedance is 600Ω.
5. Super strong function is available for dialing 12 groups of numbers stored in the memory (maximum length of each store number is16 digits)

Mounting bracket



Connection cable

Stainless steel connection cable to exchange.
Well treated keep waterproof.

Packing detail:



Unit size: 320*205*120mm , N.W: 3.8KG

1pcs in each inner CTN box, size: 439 *277 *191mm G.W: 5.6KG

4pcs in outer CTN box, size: 566 * 445 *420mm G.W: 23.7KG

20GP: 1120PCS 40GP: 2240PCS 40HQ: 2640PCS

Certification:



EMC: EN50121 (Railway application-
ElectromagneticCompatibility)
EN55022: emissions
En55024: immunity
Ingress Protection: GB4208-93 IP 66
FCC
ITU-T Recommendations K21



HONGKONG KOON TECHNOLOGY LTD

Tel: 0086755 29790158 / 27448753 Fax:0086755 29790278 Email:koon03@vip.163.com www.koontech.com