



## Analogue KNEX1 explosion proof telephone

### DESCRIPTION

1. Robust SMC 2600 glassfibre reinforced polyester die-cast body
2. IECEx certified, Type Ex e ib mb I IC T6 Gb.
3. Waterproof degree IP66, High temperature approval -30°C to +70°C
4. Analogue telephone matching with most PABX, PBX and PAX system
5. Telephone line powered. No external power or battery required
6. LCD display include, SUS Metal keypad 24digit, Magnetic reed hook-switch
7. Busy tone detection for auto release the line if line busy, Auto answer auto release line.
8. Ring sound 95 dB dfd in 1 m and 10 ringing tone melodies selectable
9. Listening by loudspeaker: 70dB in 1m
10. Phone book memory: 50 address ( name & number) programmable
11. Full Soft lock: only dial out from phone book 50 memory address number
12. Half soft lock: limit to dial out starting number, e.g. "00852" area code
13. Dry contact for external control automation (Option)

### Manual setting

Welcome text programmable e.g: welcome to koontech telephone

Full soft lock or half soft lock

Ring speaker up to 4 level selectable

Hands free talking sound up to 4 level selectable

Handset receiver sound up to 4 level selectable

Up to 9 Ring tone melodies selectable

Back light up to 4 level selectable

The dialing number

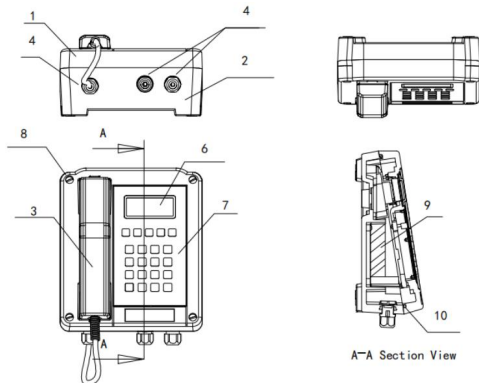
Calling time counting



**SPECIFICATION**

Unit dimension	227 x 293 x 135mm
Unit Weight	5.8kg
LCD Display:	2 line alphanumerical display ICON or number or letter Up to 4 level back light selectable
Keypad	stainless steel flash mount Waterproof IP66. Ice protection 21 keys with number and ACE letter for program
Handset:	dynamic receiver with inductive coupling for hearing aids Electret type microphone with noise cancelling Stainless steel armoured handset hold over 170kg
Waterproof protection	IP66
Impact protection:	IK09
Call Flash transfer:	max:120ms
Dialling procedure:	DTMF
External function (Option):	external louder speaker additional earpiece headset ringl sounder
operation temperature:	-25°C to 60°C
Storage temperature:	-30°C to +70°C

**INSTALLATION**



With mounting bar for installation

**PACKING**



Unit size:234\*280\*115mm N.W: 5.8KG

1pcs packing box size: 439 \*277 \*191mm N.W: 5.8KG G.W: 6.8KG

4pcs in 1 outer Carton box: size: 55\*50\*38cm N.W: 23.4KG G.W: 27.2KG

**CERTIFICATE**

Explosion-proof Telephone  
Model: KNEX1  
Ex e ib mb II C T6 Gb  
Ex tb IIIC T80°C Db -25°C ≤ Ta ≤ +60°C  
CQM -93-2014-0127  
IECEX CQM 15.0017X  
Shenzhen xijun Technology Ltd  
6/F 268# Nanchang i nd. park Gushu Baoan  
Shenzhen China  
2017 s/n 001

DC-48V

CE 0359

Ex II 2GD

