



ACOUSTIC HOOD

Model: RF-13

Main features:

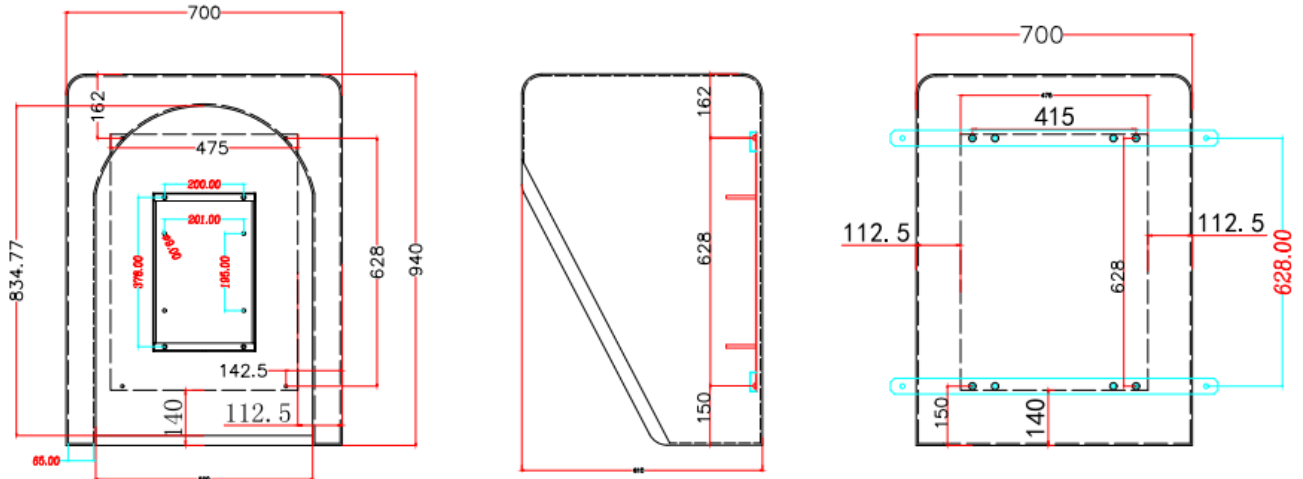
- >> Designed for use in noisy areas and harsh environments
- >> Extremely robust
- >> Good acoustic qualities and highly visible
- >> High visibility yellow paint finish
- >> 23 dB noise reduction
- >> Telephone mounting panel 200mm deep shelf
- >> Popular in noisy factories such as newspaper print rooms

Noise Reduction:

For external or internal use, the RF-13 is designed to attain a high level of noise reduction up to 23 dB. Manufactured using general-purpose resin material to BS476 Class 1 fire regulation, the RF-13 is extremely robust and weatherproof. Inside the hood's outer shell is a perforated polypropylene lining that houses 50mm non-hygroscopic acoustic insulation. Fitted to the inner back wall is a stainless steel apparatus plate; beneath this plate is a detachable GRP shelf with easy cable entry.



Telephone layout:



Color: Yellow Body material in GRP (Glass reinforced plastic)

Dimensions: H940mm W700mm D610mm

Weight: Approx 47Kg

Outer Shell & Shelf -General Purpose Resin continuous filament mat -Fire Resistance to BS476 Part 7 Class 1 Surface Spread of Flame

Acoustic Insulation -50mm Tissue faced non hygroscopic Rockwool (RW3) density 60kg/m³

Insulation Liner -White Perforated Polypropylene 3mm thickness

Box Dimensions -980 x 800 x 680mm

Certification:


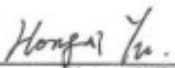



EMC: EN50121 (Railway application- Electromagnetic Compatibility)

EN55022: emissions EN55024: immunity

FCC

ITU-T Recommendations K21

Prüfbericht-Nr.: <i>Test Report No.:</i>	16804777 001	Auftrags-Nr.: <i>Order No.:</i>	1140019037	Seite 1 von 11 Page 1 of 11
Kunden-Referenz-Nr.: <i>Client Reference No.:</i>	623365	Auftragsdatum: <i>Order date:</i>	2015-04-30	
Auftraggeber: <i>Client:</i>	Hongkong Koon Technology Ltd. 6th/F, 268# building, Nanchang industrial park, Gushu, Baoan, Shenzhen, China			
Prüfgegenstand: <i>Test item:</i>	Acoustic hood			
Bezeichnung / Typ-Nr.: <i>Identification / Type No.:</i>	RF-13, RF-15, RF-16			
Auftrags-Inhalt: <i>Order content:</i>	Noise isolation testing			
Prüfgrundlage: <i>Test specification:</i>	As instruction by the client			
Wareneingangsdatum: <i>Date of receipt:</i>	2015-04-30			
Prüfmuster-Nr.: <i>Test sample No.:</i>	N/A			
Prüfzeitraum: <i>Testing period:</i>	2015-05-04 - 2015-05-04			
Ort der Prüfung: <i>Place of testing:</i>	6th/F, 268# building, Nanchang industrial park,			
Prüflaboratorium: <i>Testing laboratory:</i>	TÜV Rheinland (China) Ltd.			
Prüfergebnis*: <i>Test result*:</i>	Pass			
geprüft von / tested by:		kontrolliert von / reviewed by:		
2015-05-04	Yu Hongxi/PE		2015-05-05	Xinhua Zhao/ Reviewer
<i>Date</i>	<i>Name / Stellung</i> <i>Name / Position</i>	<i>Unterschrift</i> <i>Signature</i>	<i>Date</i>	<i>Name / Stellung</i> <i>Name / Position</i>
				
				<i>Unterschrift</i> <i>Signature</i>
Sonstiges / Other: The test method was raised by the client. TÜV Rheinland test engineer conducted and conformed the noise isolation can be up to 23 dB.				
Zustand des Prüfgegenstandes bei Anlieferung: <i>Condition of the test item at delivery:</i>		Prüfmuster vollständig und unbeschädigt <i>Test item complete and undamaged</i>		
* Legende: 1 = sehr gut 2 = gut 3 = befriedigend 4 = ausreichend 5 = mangelhaft <i>P(ass) = entspricht o.g. Prüfgrundlage(n)</i> <i>F(all) = entspricht nicht o.g. Prüfgrundlage(n)</i> <i>N/A = nicht anwendbar</i> <i>N/T = nicht getestet</i> Legend: 1 = very good 2 = good 3 = satisfactory 4 = sufficient 5 = poor <i>P(ass) = passed a.m. test specification(s)</i> <i>F(all) = failed a.m. test specification(s)</i> <i>N/A = not applicable</i> <i>N/T = not tested</i>				
Dieser Prüfbericht bezieht sich nur auf das o.g. Prüfmuster und darf ohne Genehmigung der Prüfstelle nicht auszugsweise vervielfältigt werden. Dieser Bericht berechtigt nicht zur Verwendung eines Prüfzeichens. <i>This test report only relates to the a. m. test sample. Without permission of the test center this test report is not permitted to be duplicated in extracts. This test report does not entitle to carry any test mark.</i>				



HONGKONG KOON TECHNOLOGY LIMITED

Tel: +86 755 27448753 ext. 8015

Fax: +86755 29790278

www.koontech.com

Email: jenny@koontech.com

Reference Photo:

