



VoIP KNZD-43A Robust Intercom

DESCRIPTION ITEM NO.ZD43A0022

1. Robust aluminium alloy die-cast body stainless steel face plate
2. Waterproof rating IP55 dust proof.
3. LED indicator for incoming call optional.
4. One button for emergency call, 3W loudspeaker with full metal keypad.
5. Lightening protection to ITU-T recommendation K.21.
6. POE power supply or DC12V powered.
7. Temperature range from -40 degree to +70 degree.
8. Support standard Session Initiation Protocol(SIP), RFC 3261.
9. Calling indoor extension for two-way conversation.
10. Support echo cancellation.
11. Remote software upgrade, configuration and monitoring.
12. Optional 7 minute time out to release the line if the other side hang up.(This function upon buyer's requirement).
13. Application: Vila, bank, hotel, school, parking lot, door gate, metro, railway, LRT, speedway, power plant, bridge etc.

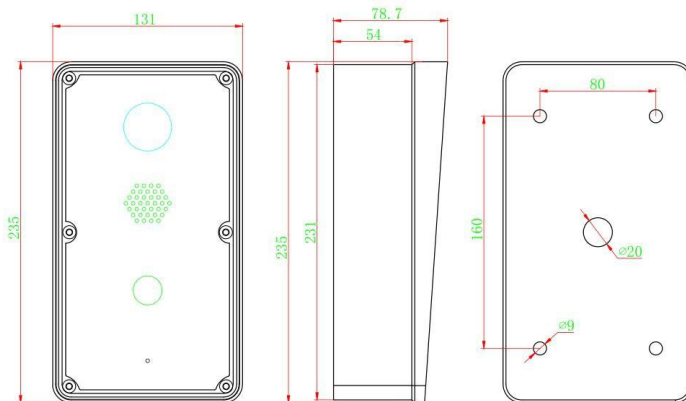


SPECIFICATION

VoIP SIP2.0 telephone DTMF dialing
 MTBF:100000hours MTRR: 2 hours
 Free dial(maximum length of each number is 16 digits)
 Communication: Full duplex 2-way hands-free communication
 Call Control Signaling:VOIP SIP Info(DTMF), RFC 2833(DTMF)
 Power:Power over Ethernet, IEEE802.3af, Class 0
 Local power, 12VDC,Idle 2W, Max 10W
 Auxiliary Contacts:1 Aux Output, dry contact
 Contact Ratings. Load: Resistive load
 Rated load:0.3 A at 125 VAC; 1 A at 30 VDC
 Rated carry current:1A
 Max.switching voltage:125 VAC,60VDC
 Max.switching current:1A

Audio Codes:G.711, G.722, G.729
 Network:10/100 BaseTX Ethernet, RJ45 connectors, Cat5e or better
 IP Protocols:IPv4, TCP, UDP, TFTP, RTP, RTCP, DHCP, SIP
 LAN Protocols:Power over Ethernet(PoE,802.3af), WLAN(IEEE 802.3af), Network Access Control(IEEE 802.1x),STP(IEEE 802.1d), RSTP(IEEE 802.1d-2004)
 Programming:Non-volatile flash memory programming and configuration through Web GUI
 Management and Operation:DHCP and static IP, remote automatic software upgrade, centralized monitoring, status LED
 Echo cancellation code:G.167/G.168

INSTALLATION



CERTIFICATION

RCM: AS/NZS CISPR 32 Australian communications:AS/CA S004
 Australian Equipment-safety: AS/NZS 60950.1:2015
 EMC: EN50121(Railway application-Electromagnetic Compatibility)



PACKING



Unit size:235*131*78.7mm Unit: N.W:1.7KG
 1pcs packing box size: 330*180*110mm Unit N.W:1.7KG Unit G.W:2.6KG
 2pcs in 1 outer Carton box: size: 350*240*190mm N.W:5.2KG G.W:4.72KG



HONGKONG KOON TECHNOLOGY LTD
 TEL:0086755 29790158/27448753 Fax:0086755 29790278
 Email:marketing@koontech.com www.koontech.com