



## ITEM NO. KEX5

### Analogue Telephone Explosion Proof Telephone

#### DESCRIPTION

1. Robust aluminium alloy die-cast body, Vandal & tamper-resistant hardware.
2. Waterproof rating IP66 dust proof.
3. Full keypad with memory, dialling 10 groups of numbers stored in the memory.
4. Magnetic reed hook-switch.
5. Heavy Duty handset with hearing Aid compatible receiver, Noise canceling microphone.
6. Handset with industrial strong curly cord .
7. Stainless Steel keypad keep waterproof and dusty proof.
8. Built-in 8ohm 0.5W.
9. Door cover: orient automatically and good self - closing, convenient for use.
10. Temperature range from -20 degree to +55 degree.
11. Powder coated in UV stabilized polyester finish.
12. Application: Hazardous dust and gas atmospheres, petrochemical industry, Tunnel, metro, railway, LRT, speedway, marine, ship, offshore, mine, power plant, bridge etc.

#### SPECIFICATION

Types of protection:  II 2G Ex db ib IIB T5 Gb -20°C to 55°C

DTMF dialling

MTBF:100000hours

Built-in 8ohm 0.5W

Telephone line power supply DC 24V-48V



Sound level of ringing:over 70dB(A).At 50cm distance.

speed dialling keypad:Super strong function is available for dialling 10 groups of numbers stored in the memory

Housing: construction robust aluminium alloy die-cast body

Unit size: 290\*185\*118mm

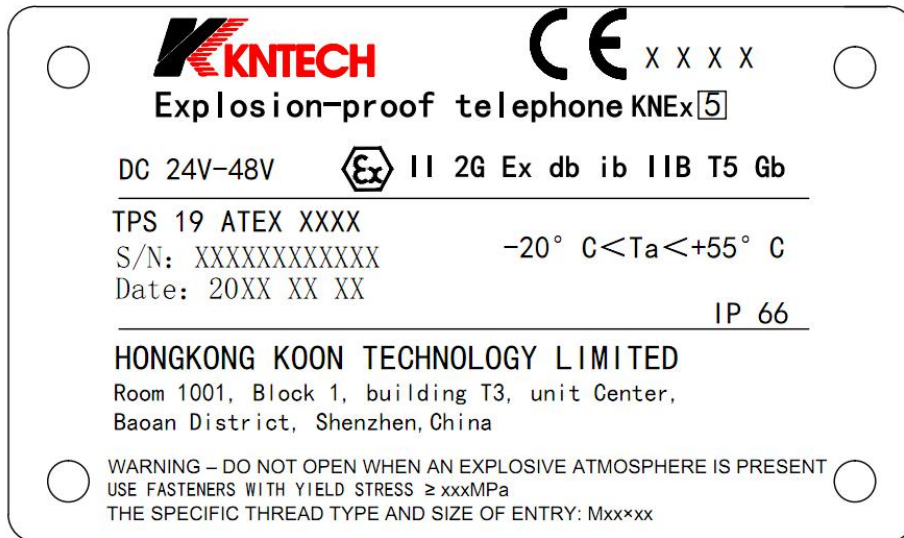
Weight: 10.65kg

Environment conditions:

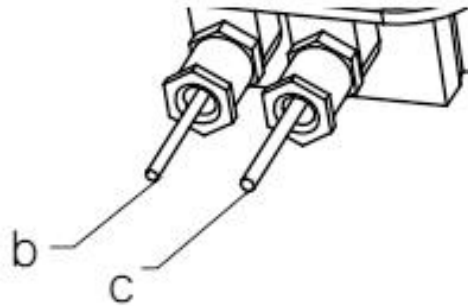
Ambient temperature: -20°C to 55°C. Relative humidity:10%~95%

Atmospheric pressure: 86~106Kpa Circumstance noise:less than 60dB(A)

Degree of protection: IP66

**SUPPLIER OF BELOW LISTED COMPANY:**

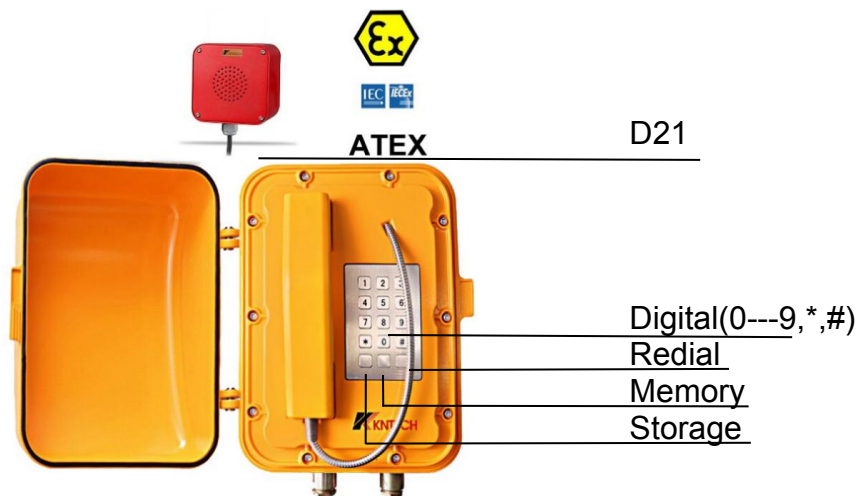
**INTERFACE CONNECTION SCHEMATIC DIAGRAM**



b : Telephone Line  
c : Headset and D21 8Ω 0.5W

**USER PROGRAMMING**

pick up the Handset, press the keyboard storage key+address key(digital 0 --- 9)+phone number+storage key, and then hang up.



**THE TELEPHONE LAYOUT**

