



Analogue KNZD-11 Push call Telephone

DESCRIPTION ITEM NO.:ZD0110012

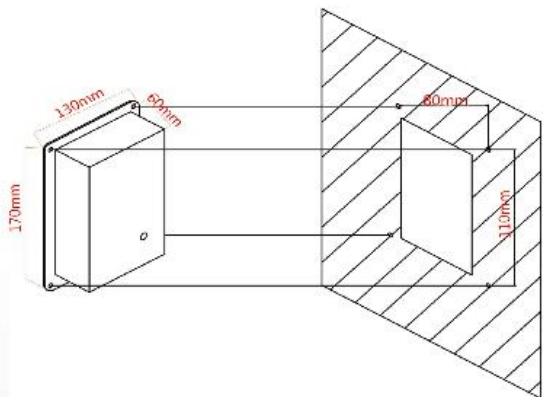
1. Stainless steel 304 body with SUS handsfree button, flush mount type.
2. Waterproof rating IP55 dust proof.
3. Hands-free, double loudspeaker.
4. Weather resistant to IP55 standard, service temperature range from -30 degree to +75 degree.
5. Lightning protection to ITU-T recommendation K.21.
6. Support hotline calling.
7. Phone integrity wiring to enable the telephone system to check if the telephone unit is still Operational.(If PABX have this available we can provide this function).
8. Optional 7 minute time out to release the line if the handset is left off hook. This function upon buyer's requirement).
10. The housing covered with a layer of reflective label for easy identification at night.Optional
11. Application: Tunnel, metro, railway, LRT, speedway, marine, ship, offshore, mine, power plant, bridge etc.



SPECIFICATION

1. PSTN analogue telephone
2. DTMF dialing
3. MTBF:100000hours
4. MTTR: 2 hours
5. Connection: RJ11 screw terminal pair cable
6. Applicable for various types of SPC exchange PABX and dispatching exchange system with feeding voltage of 33-60V.
7. Ambient temperature:-30 ~ +60 degree. Relative humidity:10%~95%
Atmospheric pressure: 86~106Kpa Circumstance noise:less than 60dB(A)
8. Sound level of ringing:over 70dB(A).
9. Standard frequency:low frequency group:697. 770. 852. 941Hz,
high frequency group:1209. 1336. 1477Hz, frequency deviation:-1.5% ~ +1.5%
10. Call transmission index:(5KM)SLR<12,RLR<-1,STMR>10, output impedance is 600 Ohm.
maximum distance: 7KM
11. Hotline setting (maximum length of each number is 16 digits)
12. Connection: RJ11 screw terminal pair cable (or RJ11 Socket of plug upon request)
with stainless steel cable protected

INSTALLATION



CERTIFICATION

EN55022: emissions

EN55024: immunity

Ingress Protection: GB4208-93 IP66 FCC

ITU-T Recommendations K21

EMC: EN50121(Railway application-Electromagnetic Compatibility)



RoHS

PACKING



Unit size:170*130*60mm

Unit: N.W:0.65KG

1pcs packing box size: 200*140*100mm

Unit N.W:0.65KG Unit G.W:1KG

12pcs in 1 outer Carton box: size: 500*360*420mm N.W:7.8KG G.W:13.1KG



HONGKONG KOON TECHNOLOGY LTD

TEL:0086755 29790158/27448753 Fax:0086755 29790278
Email:marketing@koontech.com www.koontech.com